

Section View - E - Pump Type - P - Port Block Assembly

Section E P24/30 TYPE P PORT BLOCK									
Balloon #	Pump/Motor	Displacement	Type	Rotation	Seal Code	Internal Pump	Item #	Description	Qty
E1	P	24/30	P	**	**	0/1/2/3/4/5/6/X	033-91085-0	PORT BLOCK GASKET	1
E2	P	24/30	P	**	**	0/1/2/3/4/5/6/X	488-35041-0	PLUG 6HP5N	15
E3	P	24/30	P	**	1	0/1/2/3/4/5/6/X	691-00906-0	O RING	15
	P	24/30	P	**	4	0/1/2/3/4/5/6/X	674-00906-0		
	P	24/30	P	**	5	0/1/2/3/4/5/6/X	695-00906-0		
E4	P	24/30	P	**	**	0/1/2/3/4/5/6/X	488-35018-0	PLUG 8HP5N	3
E5	P	24/30	P	**	1	0/1/2/3/4/5/6/X	691-00908-0	O RING	2
	P	24/30	P	**	4	0/1/2/3/4/5/6/X	694-00908-0		
	P	24/30	P	**	5	0/1/2/3/4/5/6/X	695-00908-0		
E6	P	24/30	P	**	**	0/1/2/3/4/5/6/X	359-11140-0	SCREW SHC	2
E7	P	24/30	P	**	**	0/1/2/3/4/5/6/X	350-10168-0	LOCKWASHER	2
E8	P	24/30	P	**	**	0/1/2/3/4/5/6/X	035-72355-0	RING CHECK	2
E9	P	24/30	P	**	**	0/1/2/3/4/5/6/X	033-94747-0	RING CHECK STOP	2
E10	P	24/30	P	**	**	0/1/2/3/4/5/6/X	S13-40266-0	CHECK VALVE	2
E11	P	24/30	P	**	**	0/1/2/3/4/5/6/X	350-10136-0	WASHER 5/8	2
E12	P	24/30	P	**	**	0/1/2/3/4/5/6/X	306-40008-0	SCREW HHC 5/8-11UNC	2
E13	P	24/30	P	**	**	0/1/2/3/4/5/6/X	350-10135-0	WASHER 7/8	4
E14	P	24	P	**	**	0/1/2/3/4/5/6/X	306-40221-0	SCREW HHC 7/8-9UNC x 13	4
	P	30	P	**	**	0/1/2/3/4/5/6/X	306-40230-0	SCREW HHC 7/8-9UNC x 14	
E15	P	24/30	P	**	**	0/1/2/3/4/5/6/X	033-91073-0	WASHER SEALING	1
E16	P	24/30	P	CW	**	0	S24-11918-0	VANE PUMP CART. ASSY 2.81 CIPR	1
	P	24/30	P	CCW	**		S24-05562-0		
	P	24/30	P	CW	**	1	S24-11789-0	VANE PUMP CART. ASSY 1.61 CIPR	
	P	24/30	P	CCW	**		S24-51206-0		
	P	24/30	P	CW	**	2	S24-11697-0	VANE PUMP CART. ASSY 1.05 CIPR	
	P	24/30	P	CCW	**		S24-11778-0		
	P	24/30	P	CW	**	3	S24-05342-0	VANE PUMP CART. ASSY 3.56 CIPR	
	P	24/30	P	CCW	**		S24-05563-0		
	P	24/30	P	CW	**	4	S24-05509-0	VANE PUMP CART. ASSY 4.84 CIPR	
	P	24/30	P	CCW	**		S24-05510-0		
	P	24/30	P	CW	**	5	S24-63562-0	VANE PUMP CART. ASSY 5.42 CIPR	
	P	24/30	P	CCW	**		S24-44844-0		
	P	24/30	P	CW	**	6	S24-63563-0	VANE PUMP CART. ASSY 6.10 CIPR	
	P	24/30	P	CCW	**		S24-63564-0		
P	24/30	P	CW/CCW	**	X	S23-15102-0	BLANK		
E17	P	24/30	P	**	**	**	033-91564-0	PORT BLOCK	1

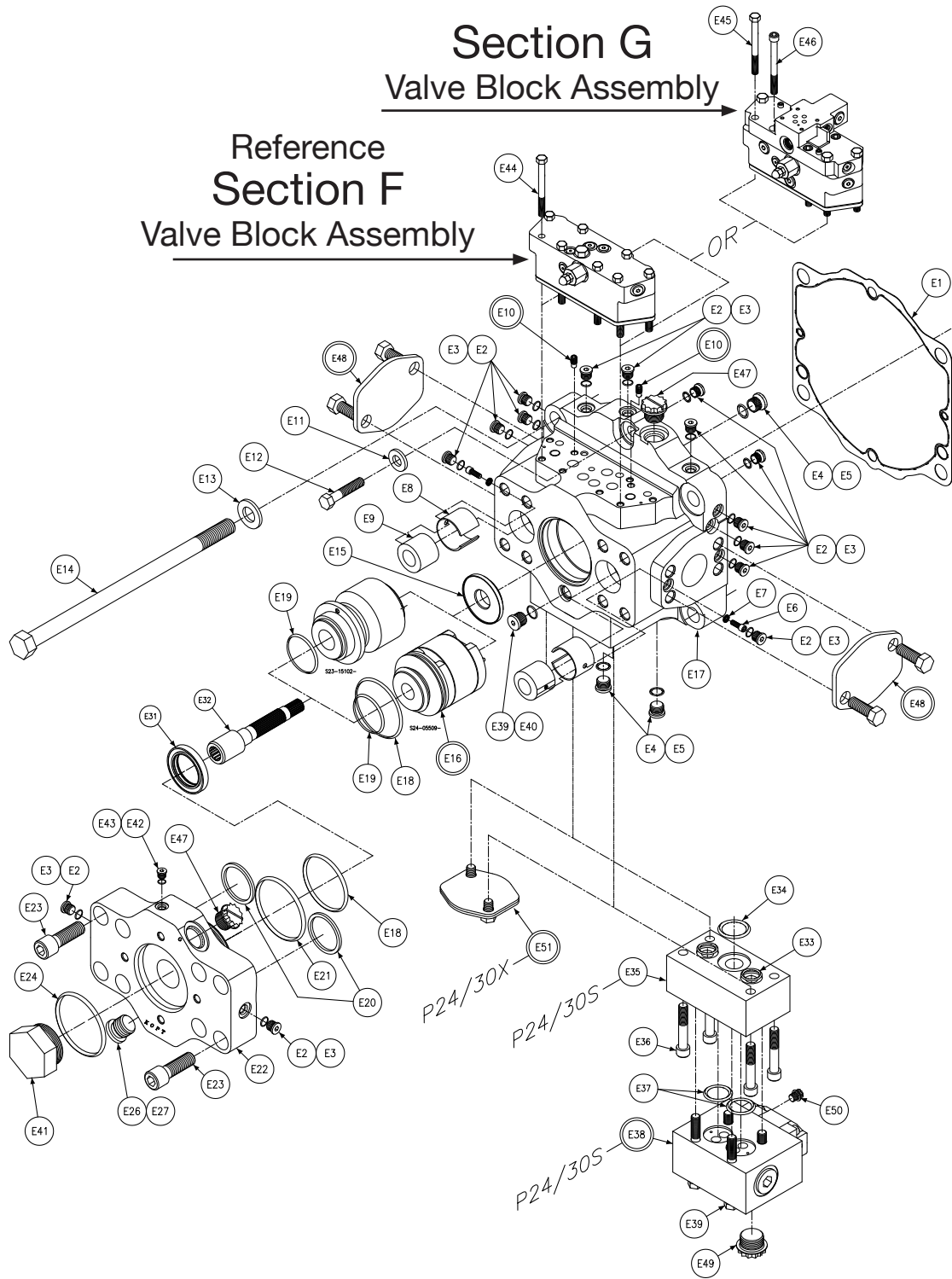
Continued on next page.



## Section View - E - Pump Type - P - Port Block Assembly

Section E P24/30 TYPE P PORT BLOCK									
Balloon #	Pump/Motor	Displacement	Type	Rotation	Seal Code	Internal Pump	Item #	Description	Qty
E18	P	24/30	P	**	1	0/1/2/3/4/5/6	691-00238-0	O RING	2
	P	24/30	P	**	4	0/1/2/3/4/5/6	694-00238-0		
	P	24/30	P	**	5	0/1/2/3/4/5/6	695-00238-0		
	P	24/30	P	**	1	X	671-00238-0		1
	P	24/30	P	**	4	X	674-00238-0		
	P	24/30	P	**	5	X	675-00238-0		
E19	P	24/30	P	**	1	0/1/2/3/4/5/6/X	691-10229-0	SQUARE O RING	1
	P	24/30	P	**	4	0/1/2/3/4/5/6/X	694-10229-0		
	P	24/30	P	**	5	0/1/2/3/4/5/6/X	695-10229-0		
E20	P	24/30	P	**	1	0/1/2/3/4/5/6/X	691-10228-0	SQUARE O RING	2
	P	24/30	P	**	4	0/1/2/3/4/5/6/X	694-10228-0		
	P	24/30	P	**	5	0/1/2/3/4/5/6/X	695-10228-0		
E21	P	24/30	P	**	1	0/1/2/3/4/5/6/X	671-00242-0	O RING	1
	P	24/30	P	**	4	0/1/2/3/4/5/6/X	674-00242-0		
	P	24/30	P	**	5	0/1/2/3/4/5/6/X	675-00242-0		
E22	P	24/30	P	**	**	0/1/2/3/4/5/6/X	033-91566-0	REAR COVER WITH -32 PORT	1
E23	P	24/30	P	**	**	0/1/2/3/4/5/6/X	358-26240-0	SCREW SHC 3/4-10UNC x 2	8
E24	P	24/30	P	**	1	0/1/2/3/4/5/6/X	691-00932-0	O RING	1
	P	24/30	P	**	4	0/1/2/3/4/5/6/X	694-00932-0		
	P	24/30	P	**	5	0/1/2/3/4/5/6/X	695-00932-0		
E25	P	24/30	P	**	**	0/1/2/3/4/5/6/X	488-35059-0	HH PLUG 32P5N	1
E26	P	24/30	P	**	1	0/1/2/3/4/5/6/X	691-00916-0	O RING	1
	P	24/30	P	**	4	0/1/2/3/4/5/6/X	694-00916-0		
	P	24/30	P	**	5	0/1/2/3/4/5/6/X	695-00916-0		
E27	P	24/30	P	**	**	0/1/2/3/4/5/6/X	488-35024-0	PLUG 16 HP5N	1
E28	P	24/30	P	**	**	0/1/2/3/4/5/6/X	306-40242-0	SCREW HHC 3/8- 16UNC x 3-1/4	8
E29	P	24/30	P	**	**	0/1/2/3/4/5/6/X	306-40132-0	SCREW HHC 3/8-16 UNC x 4 1/4	4
E30	P	24/30	P	**	**	0/1/2/3/4/5/6/X	358-16360-0	SCREW SHC 3/8-16 UNC x 4	4
E31	P	24/30	P	**	**	0/1/2/3/4/5/6/X	449-00018-0	SHIPPING PLUG	2
E32	P	24/30	P	**	**	0/1/2/3/4/5/6/X	S13-09338-0	SHIPPING COVER ASSY	1
E33	P	24/30	P	**	**	0/1/2/3/4/5/6/X	S13-45080-0	SHIPPING COVER ASSY	2

Rear Cover Kit Composed of Items: E18, E20, E22, E23, E24, E25, E26, E27 & Part Number Auxiliary Shaft 033-57257-0 for P24 Type "P" Pumps E18, E20, E22, E23, E24, E25, E26, E27 & Part Number Auxiliary Shaft 033-91188-0 for P30 Type "P" Pumps				
Pump/Motor	Displacement	Type	Seal Code	Part Number
P	24	P	**	S23-15152-0
			1	S23-15182-0
			5	S23-15182-5
P	30	P	**	S23-15122-0
			1	S23-15122-0
			5	S23-15122-5



## Section View - E - Pump Type - S &amp; X - Port Block Assembly

Section E P24/30 TYPE X & S PORT BLOCK										
Balloon #	Pump/Motor	Displ.	Type	Rotation	Ext. Drive	Seal Code	Internal Pump	Item #	Description	Qty
E1	P	24/30	X/S	**	B/C/M	**	0/1/2/3/4/ 5/6/X	033-91085-0	PORT BLOCK GASKET	1
E2	P	24/30	X/S	**	B/C/M	**	0/1/2/3/4/ 5/6/X	488-35041-0	PLUG 6HP5N	15
E3	P	24/30	X/S	**	B/C/M	1	0/1/2/3/4/ 5/6/X	691-00906-0	O RING	15
	P	24/30	X/S	**	B/C/M	4	0/1/2/3/4/ 5/6/X	674-00906-0		
	P	24/30	X/S	**	B/C/M	5	0/1/2/3/4/ 5/6/X	695-00906-0		
E4	P	24/30	X/S	**	B/C/M	**	0/1/2/3/4/ 5/6/X	488-35018-0	PLUG 8HP5N	3
E5	P	24/30	X/S	**	B/C/M	1	0/1/2/3/4/ 5/6/X	691-00908-0	O RING	3
	P	24/30	X/S	**	B/C/M	4	0/1/2/3/4/ 5/6/X	694-00908-0		
	P	24/30	X/S	**	B/C/M	5	0/1/2/3/4/ 5/6/X	695-00908-0		
E6	P	24/30	X/S	**	B/C/M	**	0/1/2/3/4/ 5/6/X	359-11140-0	SCREW SHC	2
E7	P	24/30	X/S	**	B/C/M	**	0/1/2/3/4/ 5/6/X	350-10168-0	LOCKWASHER	2
E8	P	24/30	X/S	**	B/C/M	**	0/1/2/3/4/ 5/6/X	035-72355-0	RING CHECK	2
E9	P	24/30	X/S	**	B/C/M	**	0/1/2/3/4/ 5/6/X	033-94747-0	RING CHECK STOP	2
E10	P	24/30	X/S	**	B/C/M	**	0/1/2/3/4/ 5/6/X	S13-40266-0	CHECK VALVE	2
E11	P	24/30	X/S	**	B/C/M	**	0/1/2/3/4/ 5/6/X	350-10136-0	WASHER 5/8	2
E12	P	24/30	X/S	**	B/C/M	**	0/1/2/3/4/ 5/6/X	306-40008-0	SCREW HHC 5/8-11 UNC	2
E13	P	24/30	X/S	**	B/C/M	**	0/1/2/3/4/ 5/6/X	350-10135-0	WASHER 7/8	4
E14	P	24	X/S	**	B/C/M	**	0/1/2/3/4/ 5/6/X	306-40221-0	SCREW HHC 7/8- 9UNC x 13	4
	P	30	X/S	**	B/C/M	**	0/1/2/3/4/ 5/6/X	306-40230-0	SCREW HHC 7/8- 9UNC x 14	
E15	P	24/30	X/S	**	B/C/M	**	0/1/2/3/4/ 5/6/X	033-91073-0	WASHER SEALING	1

Continued on next page.

Section View - E - Pump Type - S & X - Port Block Assembly

Section E P24/30 TYPE X & S PORT BLOCK										
Balloon #	Pump/Motor	Displ.	Type	Rotation	Ext. Drive	Seal Code	Internal Pump	Item #	Description	Qty
E16	P	24/30	X/S	CW	B/C/M	**	0	S24-11918-0	VANE PUMP CART. ASSY 2.81 CIPR	1
	P	24/30	X/S	CCW	B/C/M	**		S24-05562-0		
	P	24/30	X/S	CW	B/C/M	**	1	S24-11789-0	VANE PUMP CART. ASSY 1.61 CIPR	
	P	24/30	X/S	CCW	B/C/M	**		S24-51206-0		
	P	24/30	X/S	CW	B/C/M	**	2	S24-11697-0	VANE PUMP CART. ASSY 1.05 CIPR	
	P	24/30	X/S	CCW	B/C/M	**		S24-11778-0		
	P	24/30	X/S	CW	B/C/M	**	3	S24-05342-0	VANE PUMP CART. ASSY 3.56 CIPR	
	P	24/30	X/S	CCW	B/C/M	**		S24-05563-0		
	P	24/30	X/S	CW	B/C/M	**	4	S24-05509-0	VANE PUMP CART. ASSY 4.84 CIPR	
	P	24/30	X/S	CCW	B/C/M	**		S24-05510-0		
	P	24/30	X/S	CW	B/C/M	**	5	S24-63562-0	VANE PUMP CART. ASSY 5.42 CIPR	
	P	24/30	X/S	CCW	B/C/M	**		S24-44844-0		
	P	24/30	X/S	CW	B/C/M	**	6	S24-63563-0	VANE PUMP CART. ASSY 6.10 CIPR	
	P	24/30	X/S	CCW	B/C/M	**		S24-63564-0		
P	24/30	X/S	CW/CCW	B/C/M	**	X	S23-15102-0	BLANK		
E17	P	24/30	S	**	B/C/M	**	0/1/2/3/4/5/6/X	033-91604-0	PORT BLOCK	1
	P	24/30		**	B/C/M	**	0/1/2/3/4/5/6/X	033-91564-0		
E18	P	24/30	X/S	**	B/C/M	1	0/1/2/3/4/5/6	691-00238-0	O RING	2
	P	24/30	X/S	**	B/C/M	4	0/1/2/3/4/5/6	694-00238-0		
	P	24/30	X/S	**	B/C/M	5	0/1/2/3/4/5/6/	695-00238-0		
	P	24/30	X/S	**	B/C/M	1	X	671-00238-0		1
	P	24/30	X/S	**	B/C/M	4	X	674-00238-0		
	P	24/30	X/S	**	B/C/M	5	X	675-00238-0		
E19	P	24/30	X/S	**	B/C/M	1	0/1/2/3/4/5/6/X	691-10229-0	SQUARE O RING	1
	P	24/30	X/S	**	B/C/M	4	0/1/2/3/4/5/6/X	694-10229-0		
	P	24/30	X/S	**	B/C/M	5	0/1/2/3/4/5/6/X	695-10229-0		

Continued on next page.



Section View - E - Pump Type - S & X - Port Block Assembly

Section E P24/30 TYPE X & S PORT BLOCK										
Balloon #	Pump/Motor	Displ.	Type	Rotation	Ext. Drive	Seal Code	Internal Pump	Item #	Description	Qty
E20	P	24/30	X/S	**	B/C/M	1	0/1/2/3/4/5/6/X	691-10228-0	SQUARE O RING	2
	P	24/30	X/S	**	B/C/M	4	0/1/2/3/4/5/6/X	694-10228-0		
	P	24/30	X/S	**	B/C/M	5	0/1/2/3/4/5/6/X	695-10228-0		
E21	P	24/30	X/S	**	B/C/M	1	0/1/2/3/4/5/6/X	671-00242-0	O RING	1
	P	24/30	X/S	**	B/C/M	4	0/1/2/3/4/5/6/X	674-00242-0		
	P	24/30	X/S	**	B/C/M	5	0/1/2/3/4/5/6/X	675-00242-0		
E22	P	24/30	X/S	**	B	**	0/1/2/3/4/5/6/X	033-91605-0	COVER WITH SAE-B AUX. MTG	1
	P	24/30	X/S	**	C	**	0/1/2/3/4/5/6/X	033-91624-0	COVER WITH SAE-C AUX. MTG	
	P	24/30	X/S	**	M	**	0/1/2/3/4/5/6/X	033-91566-0	COVER WITH -32 PORT	
E23	P	24/30	X/S	**	B/C/M	**	0/1/2/3/4/5/6/X	358-26240-0	SCREW SHC 3/4-10 UNC x 2	8
E24	P	24/30	X/S	**	B	1	0/1/2/3/4/5/6/X	671-00155-0	O RING	1
	P	24/30	X/S	**	B	4	0/1/2/3/4/5/6/X	674-00155-0		
	P	24/30	X/S	**	B	5	0/1/2/3/4/5/6/X	675-00155-0		
	P	24/30	X/S	**	C	1	0/1/2/3/4/5/6/X	671-00159-0		
	P	24/30	X/S	**	C	4	0/1/2/3/4/5/6/X	674-00159-0		
	P	24/30	X/S	**	C	5	0/1/2/3/4/5/6/X	675-00159-0		
	P	24/30	X/S	**	M	1	0/1/2/3/4/5/6/X	691-00932-0		
	P	24/30	X/S	**	M	4	0/1/2/3/4/5/6/X	674-00932-0		
	P	24/30	X/S	**	M	5	0/1/2/3/4/5/6/X	695-00932-0		
E26	P	24/30	X/S	**	B/C/M	1	0/1/2/3/4/5/6/X	691-00916-0	O RING	1
	P	24/30	X/S	**	B/C/M	4	0/1/2/3/4/5/6/X	694-00916-0		
	P	24/30	X/S	**	B/C/M	5	0/1/2/3/4/5/6/X	695-00916-0		

Continued on next page.





## Section View - E - Pump Type - S &amp; X - Port Block Assembly

Section E P24/30 TYPE X & S PORT BLOCK										
Balloon #	Pump/Motor	Displ.	Type	Rotation	Ext. Drive	Seal Code	Internal Pump	Item #	Description	Qty
E27	P	24/30	X/S	**	B/C/M	**	0/1/2/3/4/ 5/6/X	488-35024-0	PLUG 16 HP5N	1
E31	P	24/30	X/S	**	B	**	0/1/2/3/4/ 5/6/X	620-82066-0	LIP SEAL	1
	P	24/30	X/S	**	C	**	0/1/2/3/4/ 5/6/X	620-82069-0		
E32	P	24/30	X/S	**	B	**	0/1/2/3/4/ 5/6/X	033-93537-0	COUPLING	1
	P	24/30	X/S	**	C	**	0/1/2/3/4/ 5/6/X	033-93538-0		
E33	P	24/30	S	**	B/C/M	1	0/1/2/3/4/ 5/6/X	691-10214-0	SQUARE O RING	2
	P	24/30	S	**	B/C/M	4	0/1/2/3/4/ 5/6/X	694-10214-0		
	P	24/30	S	**	B/C/M	5	0/1/2/3/4/ 5/6/X	695-10214-0		
E34	P	24/30	S	**	B/C/M	1	0/1/2/3/4/ 5/6/X	671-00223-0	O RING	1
	P	24/30	S	**	B/C/M	4	0/1/2/3/4/ 5/6/X	674-00223-0		
	P	24/30	S	**	B/C/M	5	0/1/2/3/4/ 5/6/X	675-00223-0		
E35	P	24/30	S	**	B/C/M	**	0/1/2/3/4/ 5/6/X	033-57188-0	ADAPTER SHUTTLE	1
E36	P	24/30	S	**	B/C/M	**	0/1/2/3/4/ 5/6/X	358-20280-0	SCREW SHC 1/2-13 UNC x 2 1/2	4
E37	P	24/30	S	**	B/C/M	1	0/1/2/3/4/ 5/6/X	691-10221-0	SQUARE O RING	2
	P	24/30	S	**	B/C/M	4	0/1/2/3/4/ 5/6/X	694-10221-0		
	P	24/30	S	**	B/C/M	5	0/1/2/3/4/ 5/6/X	695-10221-0		
E38	P	24/30	S	**	B/C/M	1	0/1/2/3/4/ 5/6/X	080030100001	SHUTTLE EXTERNAL PILOT DR.	1
	P	24/30	S	**	B/C/M	5	0/1/2/3/4/ 5/6/X	080030100002		
E39	P	24/30	X/S	**	B/C/M	**	0/1/2/3/4/ 5/6/X	488-35041-0	PLUG 6HP5N	1
E40	P	24/30	X/S	**	B/C/M	1	0/1/2/3/4/ 5/6/X	691-00906-0	O RING	1
	P	24/30	X/S	**	B/C/M	4	0/1/2/3/4/ 5/6/X	674-00906-0		
	P	24/30	X/S	**	B/C/M	5	0/1/2/3/4/ 5/6/X	695-00906-0		

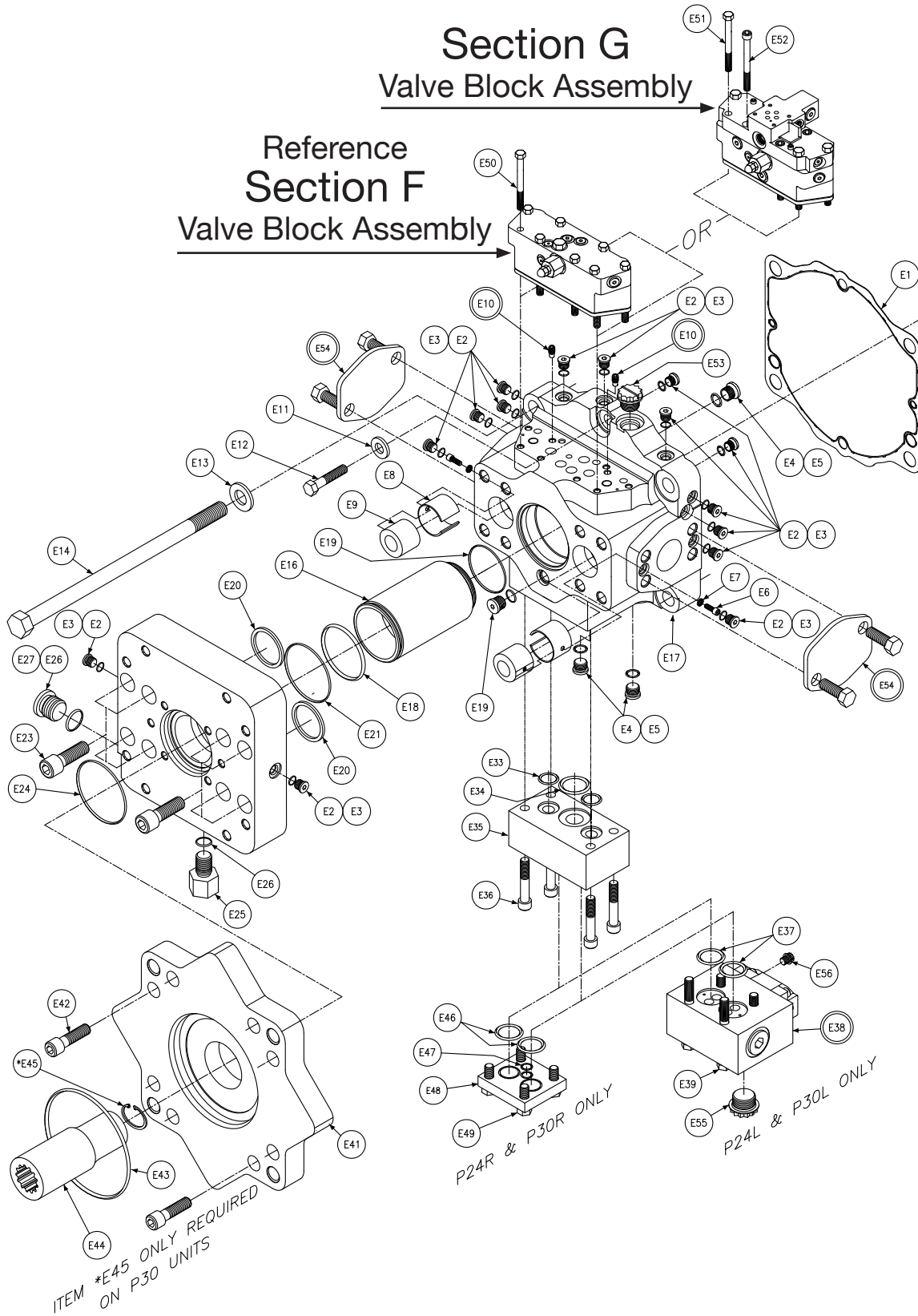
Continued on next page.

Section View - E - Pump Type – S & X - Port Block Assembly

Section E P24/30 TYPE X & S PORT BLOCK										
Balloon #	Pump/Motor	Displ.	Type	Rotation	Ext. Drive	Seal Code	Internal Pump	Item #	Description	Qty
E41	P	24/30	X/S	**	M	**	0/1/2/3/4/5/6/X	488-35059-0	HEX HEAD PLUG 32P5N	1
E42	P	24/30	X/S	**	B/C/M	5	0/1/2/3/4/5/6/X	488-35001-0	PLUG 4 HP5N	
E43	P	24/30	X/S	**	B/C/M	1	0/1/2/3/4/5/6/X	691-00904-0	O RING	1
	P	24/30	X/S	**	B/C/M	4	0/1/2/3/4/5/6/X	694-00904-0		
	P	24/30	X/S	**	B/C/M	5	0/1/2/3/4/5/6/X	695-00904-0		
E44	P	24/30	X/S	**	B/C/M	**	0/1/2/3/4/5/6/X	306-40242-0	SCREW HHC 3/8-16 UNC x 3-1/4	8
E45	P	24/30	X/S	**	B/C/M	**	0/1/2/3/4/5/6/X	306-40132-0	SCREW HHC 3/8-16 UNC x 4 1/4	4
E46	P	24/30	X/S	**	B/C/M	**	0/1/2/3/4/5/6/X	358-16360-0	SCREW SHC 3/8-16 UNC x 4	4
E47	P	24/30	X/S	**	B/C/M	**	0/1/2/3/4/5/6/X	449-00018-0	SHIPPING PLUG	2
E48	P	24/30	X/S	**	B/C/M	**	0/1/2/3/4/5/6/X	S13-45080-0	SHIPPING COVER ASSY	2
E49	P24/30		S	**	B/C/M	**	0/1/2/3/4/5/6/X	449-00019-0	SHIPPING PLUG	1
E50	P24/30		S	**	B/C/M	**	0/1/2/3/4/5/6/X	449-00013-0	SHIPPING PLUG	1
E51	P24/30		X	**	B/C/M	**	0/1/2/3/4/5/6/X	S13-09338-0	SHIPPING ED COVER ASSY	1

Rear Cover Kit Composed of Items:					
E18, E20, E22 thru E27, E31, E32, E42, E43 & Part Number Auxiliary Shaft 033-93535-0 for P24 Type "X" or "S" Pumps					
E18, E20, E22 thru E27, E31, E32, E42, E43 & Part Number Auxiliary Shaft 033-93536-0 for P30 Type "X" or "S" Pumps					
Pump/Motor	Displacement	Type	Seal Code	Part Number	Description
P	24	X/S	**	S23-15183-0	SAE-B EXT MOUNT
			1	S23-15183-0	
			5	S23-15183-5	
P	24	X/S	**	S23-17172-0	SAE-C EXT MOUNT
			1	S23-17172-0	
			5	S23-17172-5	
P	30	X/S	**	S23-15125-0	SAE-B EXT MOUNT
			1	S23-15125-0	
			5	S23-15125-5	
P	30	X/S	**	S23-17546-0	SAE-C EXT MOUNT
			1	S23-17546-0	
			5	S23-17546-5	





Section View - E - Pump Type - R & L - Port Block Assembly

Section E P24/30 TYPE R & L PORT BLOCK								
Balloon #	Pump/Motor	Displacement	Type	Ext. Drive	Seal Code	Item #	Description	Qty
E1	P	24/30	R/L	M/B/C/D/E/F	**	033-91085-0	PORT BLOCK GASKET	1
E2	P	24/30	R/L	M/B/C/D/E/F	**	488-35041-0	PLUG 6HP5N	15
E3	P	24/30	R/L	M/B/C/D/E/F	1	691-00906-0	O RING	15
					4	674-00906-0		
					5	695-00906-0		
E4	P	24/30	R/L	M/B/C/D/E/F	**	488-35018-0	PLUG 8HP5N	3
E5	P	24/30	R/L	M/B/C/D/E/F	1	691-00908-0	O RING	3
					4	694-00908-0		
					5	695-00908-0		
E6	P	24/30	R/L	M/B/C/D/E/F	**	359-11140-0	SCREW SHC	2
E7	P	24/30	R/L	M/B/C/D/E/F	**	350-10168-0	LOCKWASHER	2
E8	P	24/30	R/L	M/B/C/D/E/F	**	035-72355-0	RING CHECK	2
E9	P	24/30	R/L	M/B/C/D/E/F	**	033-94747-0	RING CHECK STOP	2
E10	P	24/30	R/L	M/B/C/D/E/F	**	S13-40266-0	CHECK VALVE	2
E11	P	24/30	R/L	M/B/C/D/E/F	**	350-10136-0	WASHER 5/8	2
E12	P	24/30	R/L	M/B/C/D/E/F	**	306-40008-0	SCREW HHC 5/8-11UNC	2
E13	P	24/30	R/L	M/B/C/D/E/F	**	350-10135-0	WASHER 7/8	4
E14	P	24	R/L	M/B/C/D/E/F	**	306-40221-0	SCREW HHC 7/8-9UNC x 13	4
		30				306-40230-0	SCREW HHC 7/8-9UNC x 14	
E16	P	24/30	R/L	M/B/C/D/E/F	**	033-92816-0	SLEEVE REPLEN ISOLATION	1
E17	P	24/30	R/L	M/B/C/D/E/F	**	033-91604-0	PORT BLOCK	1
E18	P	24/30	R/L	M/B/C/D/E/F	1	691-00238-0	O RING	1
					4	694-00238-0		
					5	695-00238-0		
E19	P	24/30	R/L	M/B/C/D/E/F	1	671-00122-0	O RING	1
					4	674-00122-0		
					5	675-00122-0		
E20	P	24/30	R/L	M/B/C/D/E/F	1	691-10228-0	SQUARE O RING	2
					4	694-10228-0		
					5	695-10228-0		
E21	P	24/30	R/L	M/B/C/D/E/F	1	671-00242-0	O RING	1
					4	674-00242-0		
					5	675-00242-0		

Continued on next page.



Section E P24/30 TYPE R & L PORT BLOCK								
Balloon #	Pump/Motor	Displacement	Type	Ext. Drive	Seal Code	Item #	Description	Qty
E22	P	24/30	R/L	M/B/C/D/E/F	**	033-92814-0	COVER WITH SAE-B AUX. MTG	1
E23	P	24/30	R/L	M/B/C/D/E/F	**	358-26280-0	SCREW SHC 3/4-10UNC x 2 1/2	8
E24	P	24/30	R/L	M/B/C/D/E/F	1	671-00155-0	O RING	1
					4	674-00155-0		
					5	675-00155-0		
E25	P	24/30	R/L	M/B/C/D/E/F	**	033-93464-0	PLUG SPECIAL	1
E26	P	24/30	R/L	M/B/C/D/E/F	1	691-00916-0	O RING	2
					4	694-00916-0		
					5	695-00916-0		
E27	P	24/30	R/L	M/B/C/D/E/F	**	488-35024-0	PLUG 16 HP5N	1
E33	P	24/30	R/L	M/B/C/D/E/F	1	691-10214-0	SQUARE O RING	2
					4	694-10214-0		
					5	695-10214-0		
E34	P	24/30	R/L	M/B/C/D/E/F	1	671-00223-0	O RING	1
					4	674-00223-0		
					5	675-00223-0		
E35	P	24/30	R/L	M/B/C/D/E/F	**	033-57188-0	ADAPTER SHUTTLE	1
E36	P	24/30	R/L	M/B/C/D/E/F	**	358-20280-0	SCREW SHC 1/2-13UNC x 2 1/2 SQUARE O RING	4 2
E37	P	24/30	R/L	M/B/C/D/E/F	1	691-10221-0		
					4	694-10221-0		
					5	695-10221-0		
E38	P	24/30	L	M/B/C/D/E/F	1	080030100001	SHUTTLE EXTERNAL PILOT DR.	1
	P	24/30	L		5	080030100002		
E41	P	24/30	R/L	M	**	P2-075-1009-03	BLANKING PLATE	1
				C	**	033-92827-0	ADAPTOR REAR SAE-C EXT MOUNT	
				D	**	033-92828-0	ADAPTOR REAR SAE-D EXT MOUNT	
				E	**	033-92823-0	ADAPTOR REAR SAE-E EXT MOUNT	
				F	**	033-92824-0	ADAPTOR REAR SAE-F EXT MOUNT	
E42	P	24/30	R/L	M	**	306-40077-0	SCREW HHC 1/2-13 UNC x 1 3/4	2
				C/D/E/F	**	358-24240-0	SCREW SHC 5/8-11UNC x 2	4

Continued on next page.



Section View - E - Pump Type - R & L - Port Block Assembly

Section E P24/30 TYPE R & L PORT BLOCK								
Balloon #	Pump/Motor	Displacement	Type	Ext. Drive	Seal Code	Item #	Description	Qty
E43	P	24/30	R/L	M	1	691-00920-0	O RING BLANKING PLATE	1
					4	694-00920-0		
					5	695-00920-0		
				C	1	671-00159-0	O RING SAE-C EXT MOUNT	
					4	674-00159-0		
					5	675-00159-0		
				D	1	671-00163-0	O RING SAE-D EXT MOUNT	
					4	674-00163-0		
					5	675-00163-0		
				E	1	671-00165-0	O RING SAE-E EXT MOUNT	
					4	674-00165-0		
					5	675-00165-0		
				F	1	671-00262-0	O RING SAE-F EXT MOUNT	
					4	674-00262-0		
					5	675-00262-0		
E44	P	24/30	R/L	M	**	488-35019-0	PLUG	1
				B	**	033-92834-0	COUPLING REAR SAE-B EXT MOUNT	
				C	**	033-92835-0	COUPLING REAR SAE-C EXT MOUNT	
				D	**	033-92836-0	COUPLING REAR SAE-D EXT MOUNT	
				E	**	033-92836-0	COUPLING REAR SAE-E EXT MOUNT	
				F	**	033-92778-0	COUPLING REAR SAE-F EXT MOUNT	
E45	P	30	R/L	B	**	356-30156-0	RET RING CPLG SAE-B EXT MOUNT	1
				C	**		RET RING CPLG SAE-C EXT MOUNT	
				D	**		RET RING CPLG SAE-D EXT MOUNT	
				E	**		RET RING CPLG SAE-E EXT MOUNT	
				F	**		RET RING CPLG SAE-F EXT MOUNT	
E46	P	24/30	R	M/B/C/D/E/F	1	691-00024-0	O RING	2
					4	694-00024-0		
					5	695-00024-0		

Continued on next page.



## Section View - E - Pump Type - R &amp; L - Port Block Assembly

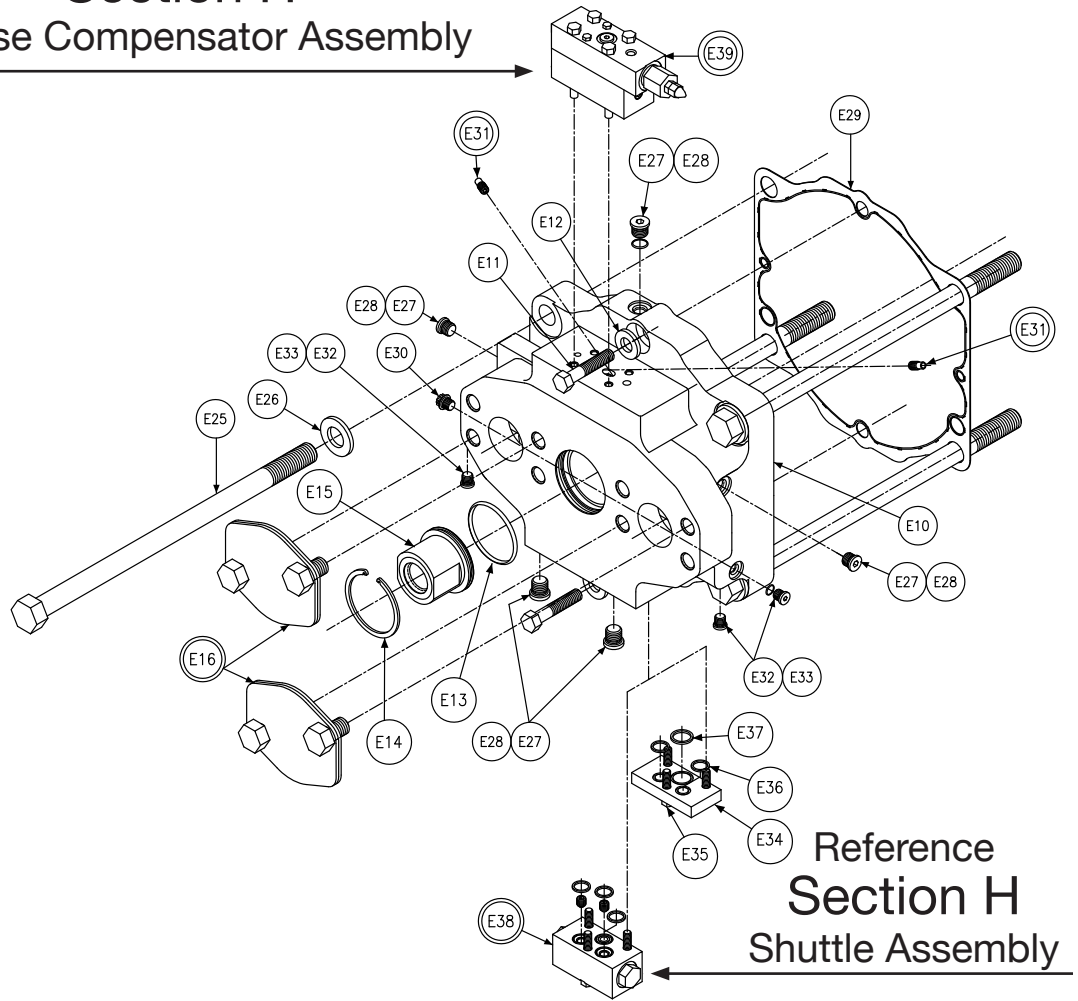
Section E P24/30 TYPE R & L PORT BLOCK								
Balloon #	Pump/Motor	Displacement	Type	Ext. Drive	Seal Code	Item #	Description	Qty
E47	P	24/30	R	M/B/C/D/E/F	1	691-00015-0	O RING	1
					4	694-00015-0		
					5	695-00015-0		
E48	P	24/30	R	M/B/C/D/E/F	**	033-57642-0	COVER SHUTTLE PAD	1
E49	P	24/30	R	M/B/C/D/E/F	**	306-40080-0	SCREW HHC 1/2-13UNC x 1 1/4	4
E50	P	24/30	R/L	M/B/C/D/E/F	**	306-40242-0	SCREW HHC 3/8-16UNC x 3-1/4	8
E51	P	24/30	R/L	M/B/C/D/E/F	**	306-40132-0	SCREW HHC 3/8-16 UNC x 4 1/4	4
E52	P	24/30	R/L	M/B/C/D/E/F	**	358-16360-0	SCREW SHC 3/8-16 UNC x 4	4
E53	P	24/30	R/L	M/B/C/D/E/F	**	449-00018-0	SHIPPING PLUG	1
E54	P	24/30	R/L	M/B/C/D/E/F	**	S13-45080-0	SHIPPING COVER ASSY	2
E55	P	24/30	L	M/B/C/D/E/F	**	449-00019-0	SHIPPING PLUG	1
E56	P	24/30	L	M/B/C/D/E/F	**	449-00013-0	SHIPPING PLUG	1

Kit Rear Adaptor Mounting Composed of Items: E41, E42, E43 & E44 for P24 Type Pumps E41, E42, E43, E44 & E45 for P30 Type Pumps					
Pump/Motor	Displacement	Type	Seal Code	Part Number	Description
P	24/30	R/L	1	S23-19371-0	"M" BLANKING PLATE
			5	S23-19371-5	
P	24	R/L	1	S23-16340-0	SAE-C EXT MOUNT
			5	S23-16340-5	
			1	S23-16341-0	SAE-D EXT MOUNT
			5	S23-16341-5	
			1	S23-16342-0	SAE-E EXT MOUNT
			5	S23-16342-5	
			1	S23-16343-0	SAE-F EXT MOUNT
			5	S23-16343-5	
P	30	R/L	1	S23-16351-0	SAE-C EXT MOUNT
			5	S23-16351-5	
			1	S23-16352-0	SAE-D EXT MOUNT
			5	S23-16352-5	
			1	S23-16353-0	SAE-E EXT MOUNT
			5	S23-16353-5	
			1	S23-16354-0	SAE-F EXT MOUNT
			5	S23-16354-5	

Kit Shuttle Assembly Composed of Items: E37, E38 & E39 for P24/30L Type Pumps Composed of Items: E46, E47, E48 & E49 for P24/30R Type Pumps					
Pump/Motor	Displacement	Type	Seal Code	Part Number	Description
P	24/30	L	1	080030100001	Shuttle EXT Pilot Drain
			5	080030100002	
P	24/30	R	1	S23-11843-0	SHUTLE PAD COVER
			5	S23-11843-5	



Reference  
Section H  
Reverse Compensator Assembly

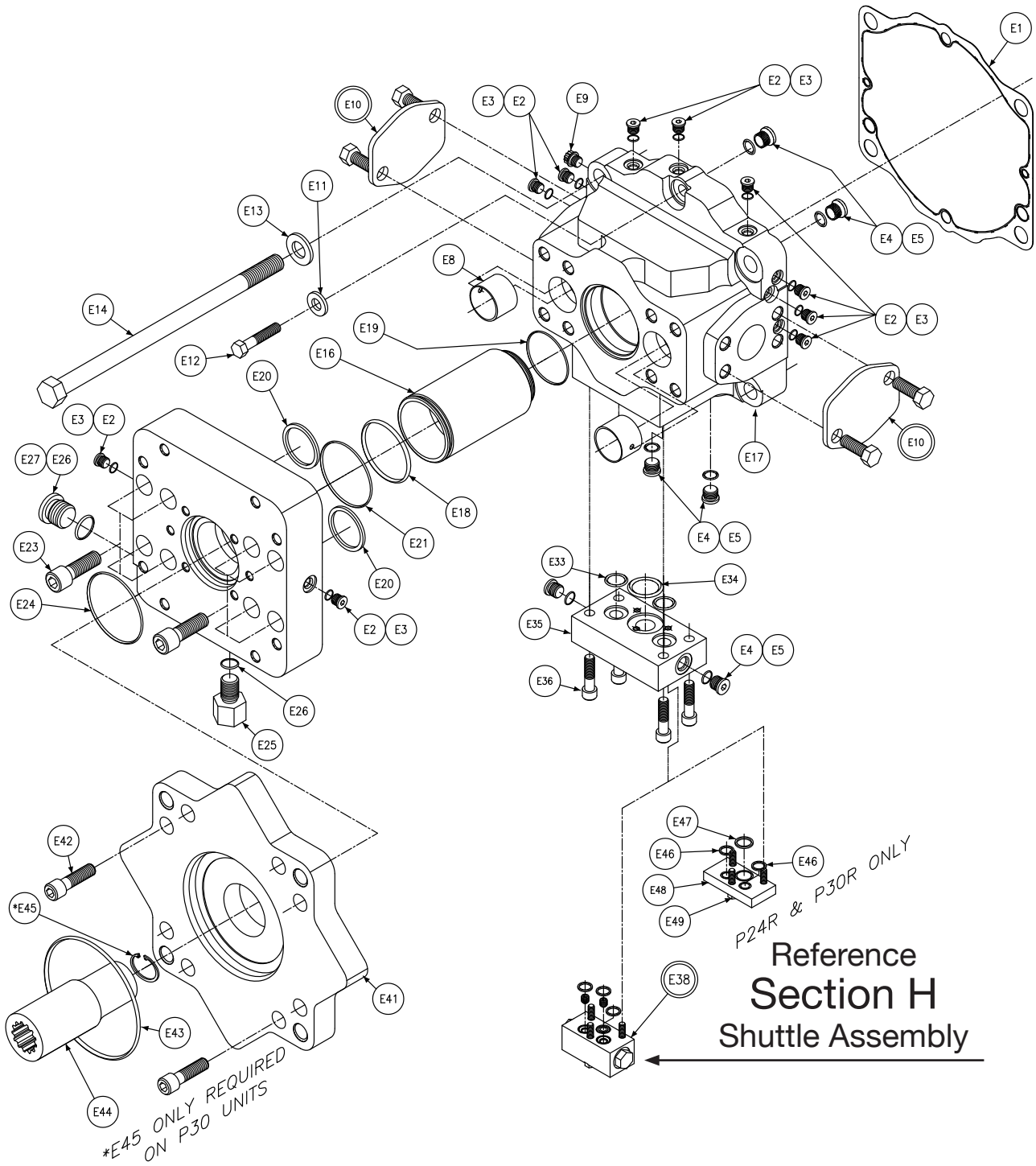


Reference  
Section H  
Shuttle Assembly

Section View - E - Motor Type - H & V - Port Block Assembly

Section E M24/30 H & V Port Block								
Balloon #	Pump/Motor	Displ.	Type	Secondary Control	Seal Code	Item #	Description	Qty
E10	M	24/30	H/V	0/6/7/8/U/V/W/X/Y/Z	**	033-57920-0	PORT BLOCK	1
	M	24/30	H/V	3/5	**	033-91215-0	REV COMP PORT BLK	
E11	M	24/30	H/V	0/3/5/6/7/8/U/V/W/X/Y/Z	**	306-40022-0	SCREW, HHC 5/8-11 UNC x 2 1/2	2
E12	M	24/30	H/V	0/3/5/6/7/8/U/V/W/X/Y/Z	**	350-10136-0	WASHER	2
E13	M	24/30	H/V	0/3/5/6/7/8/U/V/W/X/Y/Z	1	671-00147-0	O RING	1
	M	24/30	H/V	0/3/5/6/7/8/U/V/W/X/Y/Z	4	674-00147-0		
	M	24/30	H/V	0/3/5/6/7/8/U/V/W/X/Y/Z	5	675-00147-0		
E14	M	24/30	H/V	0/3/5/6/7/8/U/V/W/X/Y/Z	**	356-65082-0	SNAP RING	1
E15	M	24/30	H/V	0/3/5/6/7/8/U/V/W/X/Y/Z	**	033-72100-0	END COVER	1
E16	M	24/30	H/V	0/3/5/6/7/8/U/V/W/X/Y/Z	**	S13-45080-0	SHIPPING COVER ASSY	2
E25	M	24	H/V	0/3/5/6/7/8/U/V/W/X/Y/Z	**	306-40221-0	SCREW HHC 7/8-9UNC x 13	4
	M	30	H/V	0/3/5/6/7/8/U/V/W/X/Y/Z	**	306-40230-0	SCREW, HHC 7/8-9 UNC x 14	
E26	M	24/30	H/V	0/3/5/6/7/8/U/V/W/X/Y/Z	**	350-10135-0	WASHER	4
E27	M	24/30	H/V	0/3/5/6/7/8/U/V/W/X/Y/Z	**	488-35041-0	PLUG	4
E28	M	24/30	H/V	0/3/5/6/7/8/U/V/W/X/Y/Z	1	691-00906-0	O RING	4
	M	24/30	H/V	0/3/5/6/7/8/U/V/W/X/Y/Z	4	674-00906-0		
	M	24/30	H/V	0/3/5/6/7/8/U/V/W/X/Y/Z	5	695-00906-0		
E29	M	24/30	H/V	0/3/5/6/7/8/U/V/W/X/Y/Z	**	033-91085-0	GASKET	1
E30	M	24/30	H/V	0/3/5/6/7/8/U/V/W/X/Y/Z	**	449-00013-0	SHIPPING PLUG	1
E31	M	24/30	H/V	3/5	**	S13-40266-0	CHECK VALVE	2
E32	M	24/30	H/V	0/3/5/6/7/8/U/V/W/X/Y/Z	**	488-35001-0	PLUG	3
E33	M	24/30	H/V	0/3/5/6/7/8/U/V/W/X/Y/Z	1	691-00904-0	O RING	3
	M	24/30	H/V	0/3/5/6/7/8/U/V/W/X/Y/Z	4	674-00904-0		
	M	24/30	H/V	0/3/5/6/7/8/U/V/W/X/Y/Z	5	695-00904-0		
E34	M	24/30	V	0/3/5/6/7/8/U/V/W/X/Y/Z	**	033-71649-0	COVER PLATE	1
E35	M	24/30	V	0/3/5/6/7/8/U/V/W/X/Y/Z	**	306-40071-0	SCREW, HHC 5/16-18 UNC x 1	3
E36	M	24/30	V	0/3/5/6/7/8/U/V/W/X/Y/Z	1	691-10014-0	GASKET	2
	M	24/30	V	0/3/5/6/7/8/U/V/W/X/Y/Z	4	674-00014-0		
	M	24/30	V	0/3/5/6/7/8/U/V/W/X/Y/Z	5	695-10014-0		
E37	M	24/30	V	0/3/5/6/7/8/U/V/W/X/Y/Z	1	691-10019-0	GASKET	1
	M	24/30	V	0/3/5/6/7/8/U/V/W/X/Y/Z	4	674-00019-0		
	M	24/30	V	0/3/5/6/7/8/U/V/W/X/Y/Z	5	695-10019-0		
E38	M	24/30	H	0/3/5/6/7/8/U/V/W/X/Y/Z	**	SEE SECTION H	SHUTTLE WITHOUT ORIFICES	1
	M	24/30	H	0/3/5/6/7/8/U/V/W/X/Y/Z	**		SHUTTLE WITH ORIFICES	
E39	M	24/30	H/V	3/5	**	SEE SECTION H	COMPENSATOR REV PRESS	1





Section View - E - Motor Type - R & L - Port Block Assembly

Section E M24/30 TYPE R & L PORT BLOCK								
Balloon #	Pump/Motor	Displacement	Type	Ext. Drive	Seal Code	Item #	Description	Qty
E1	M	24/30	R/L	B/C/D/E/F	**	033-91085-0	PORT BLOCK GASKET	1
E2	M	24/30	R/L	B/C/D/E/F	**	488-35041-0	PLUG 6HP5N	13
E3	M	24/30	R/L	B/C/D/E/F	1	691-00906-0	O RING	13
					4	674-00906-0		
					5	695-00906-0		
E4	M	24/30	R/L	B/C/D/E/F	**	488-35018-0	PLUG 8HP5N	6
E5	M	24/30	R/L	B/C/D/E/F	1	691-00908-0	O RING	6
					4	694-00908-0		
					5	695-00908-0		
E8	M	24/30	R/L	B/C/D/E/F	**	033-93313-0	SOLID RING CHECK	2
E9	M	24/30	R/L	B/C/D/E/F	**	449-00015-0	SHIPPING PLUG	1
E10	M	24/30	R/L	B/C/D/E/F	**	S13-45080-0	SHIPPING COVER ASSY	2
E11	M	24/30	R/L	B/C/D/E/F	**	350-10136-0	WASHER 5/8	2
E12	M	24/30	R/L	B/C/D/E/F	**	306-40008-0	SCREW, HHC 5/8-11 x 2-1/4	2
E13	M	24/30	R/L	B/C/D/E/F	**	350-10135-0	WASHER 7/8	4
E14	M	24	R/L	B/C/D/E/F	**	306-40221-0	SCREW HHC 7/8-9UNC x 13	4
	M	30	R/L			306-40230-0	SCREW HHC 7/8-9UNC x 14	
E16	P	24/0	R/ L	B/C/D/E/F	**	033-92816-0	SLEEVE REPLEN ISOLATION	1
E17	P	24/30	R/ L	B/C/D/E/F	**	033-93657-0	PORT BLOCK	1
E18	M	24/30	R/L	B/C/D/E/F	1	691-00238-0	O RING	1
					4	694-00238-0		
					5	695-00238-0		
E19	M	24/30	R/L	B/C/D/E/F	1	671-00233-0	O RING	1
					4	674-00233-0		
					5	675-00233-0		
E20	M	24/30	R/L	B/C/D/E/F	1	691-10228-0	SQUARE O RING	2
					4	694-10228-0		
					5	695-10228-0		
E21	M	24/30	R/L	B/C/D/E/F	1	671-00242-0	O RING	1
					4	674-00242-0		
					5	675-00242-0		

Continued on next page.



## Section View - E - Motor Type - R &amp; L - Port Block Assembly

Section E M24/30 TYPE R & L PORT BLOCK								
Balloon #	Pump/Motor	Displacement	Type	Ext. Drive	Seal Code	Item #	Description	Qty
E22	M	24/30	R/L	B/C/D/E/F	**	033-92814-0	COVER WITH SAE-B AUX. MTG	1
E23	M	24/30	R/L	B/C/D/E/F	**	358-26280-0	SCREW SHC 3/4-10 UNC x 2 1/2	8
E24	M	24/30	R/L	B/C/D/E/F	1	671-00155-0	O RING	1
					4	674-00155-0		
					5	675-00155-0		
E25	M	24/30	R/L	B/C/D/E/F	**	033-93464-0	PLUG SPECIAL	1
E26	M	24/30	R/L	B/C/D/E/F	1	691-00916-0	O RING	2
					4	694-00916-0		
					5	695-00916-0		
E27	M	24/30	R/L	B/C/D/E/F	**	488-35024-0	PLUG 16 HP5N	1
E33	M	24/30	R/L	B/C/D/E/F	1	691-00214-0	O RING	2
					4	694-00214-0		
					5	695-00214-0		
E34	M	24/30	R/L	B/C/D/E/F	1	691-00223-0	O RING	1
					4	694-00223-0		
					5	695-00223-0		
E35	M	24/30	R/L	B/C/D/E/F	**	033-93830-0	ADAPTER SHUTTLE	1
E36	M	24/30	R/L	B/C/D/E/F	**	358-20220-0	SCREW, SHC 1/2-13 UNC X 1 3/4	4
E38	M	24/30	L	B/C/D/E/F	**	See Kit P/N Below	SHUTTLE VALVE, NO ORIFICES	1
					**	See Kit P/N Below	SHUTTLE VALVE, WITH ORIFICES	
E41	M	24/30	R/L	C	**	033-92827-0	ADAPTOR REAR SAE-C EXT MOUNT	1
				D	**	033-92828-0	ADAPTOR REAR SAE-D EXT MOUNT	
				E	**	033-92823-0	ADAPTOR REAR SAE-E EXT MOUNT	
				F	**	033-92824-0	ADAPTOR REAR SAE-F EXT MOUNT	
E42	M	24/30	R/L	C/D/E/F	**	358-24240-0	SCREW SHC 5/8-11 UNC x 2	4

Continued on next page.

Section View - E - Motor Type - R & L - Port Block Assembly

Section E M24/30 TYPE R & L PORT BLOCK								
Balloon #	Pump/Motor	Displacement	Type	Ext. Drive	Seal Code	Item #	Description	Qty
E43	M	24/30	R/L	C	1	671-00159-0	O RING SAE-C EXT MOUNT	1
				C	4	674-00159-0		
				C	5	675-00159-0		
				D	1	671-00163-0	O RING SAE-D EXT MOUNT	
				D	4	674-00163-0		
				D	5	675-00163-0		
				E	1	671-00165-0	O RING SAE-E EXT MOUNT	
				E	4	674-00165-0		
				E	5	675-00165-0		
				F	1	671-00262-0	O RING SAE-F EXT MOUNT	
				F	4	674-00262-0		
				F	5	675-00262-0		
E44	M	24/30	R/L	B	**	033-92834-0	COUPLING REAR SAE-B EXT MOUNT	1
				C	**	033-92835-0	COUPLING REAR SAE-C EXT MOUNT	
				D	**	033-92836-0	COUPLING REAR SAE-D EXT MOUNT	
				E	**	033-92836-0	COUPLING REAR SAE-E EXT MOUNT	
				F	**	033-92778-0	COUPLING REAR SAE-F EXT MOUNT	
E45	M	30	R/L	B	**	356-30156-0	RETAINING RING CPLG SAE-B EXT MOUNT	1
				C	**		RETAINING RING CPLG SAE-C EXT MOUNT	
				D	**		RETAINING RING CPLG SAE-D EXT MOUNT	
				E	**		RETAINING RING CPLG SAE-E EXT MOUNT	
				F	**		RETAINING RING CPLG SAE-F EXT MOUNT	

Continued on next page.



Section View - E - Motor Type - R & L - Port Block Assembly

Section E M24/30 TYPE R & L PORT BLOCK								
Balloon #	Pump/Motor	Displacement	Type	Ext. Drive	Seal Code	Item #	Description	Qty
E46	M	24/30	R	B/C/D/E/F	1	691-10014-0	SQUARE O RING	2
					4	674-00014-0		
					5	695-10014-0		
E47	M	24/30	R	B/C/D/E/F	1	691-10019-0	SQUARE O RING	1
					4	674-00019-0		
					5	695-10019-0		
E48	M	24/30	R	B/C/D/E/F	**	033-71649-0	COVER SHUTTLE PAD	1
E49	M	24/30	R	B/C/D/E/F	**	306-40071-0	SCREW, HHC 5/16-18 UNC x 1	3

Kit Rear Adaptor Mounting Composed of Items: E41, E42, E43 & E44 for M24 Type Pumps E41, E42, E43, E44 & E45 for M30 Type Pumps					
Pump/Motor	Displacement	Type	Seal Code	Part Number	Description
M	24	R/L	1	S23-16340-0	SAE-C EXT MOUNT
			5	S23-16340-5	
			1	S23-16341-0	SAE-D EXT MOUNT
			5	S23-16341-5	
			1	S23-16342-0	SAE-E EXT MOUNT
			5	S23-16342-5	
			1	S23-16343-0	SAE-F EXT MOUNT
5	S23-16343-5				
M	30	R/L	1	S23-16351-0	SAE-C EXT MOUNT
			5	S23-16351-5	
			1	S23-16352-0	SAE-D EXT MOUNT
			5	S23-16352-5	
			1	S23-16353-0	SAE-E EXT MOUNT
			5	S23-16353-5	
			1	S23-16354-0	SAE-F EXT MOUNT
5	S23-16354-5				

## Section View - E - Motor Type - R &amp; L - Port Block Assembly

Kit Shuttle Assembly (without orifices)				
Pump/Motor	Displacement	Type	Seal Code	Part Number
M	24/30	L	1	S13-48273-0
			4	S13-48273-4
			5	S13-48273-5

Kit Shuttle Assembly (with orifices)				
Pump/Motor	Displacement	Type	Seal Code	Part Number
M	24/30	L	1	S13-48776-0
			4	S13-48776-4
			5	S13-48776-5

Kit Blanking Plate for Shuttle Composed of Items: E46, E45, E48 and E49				
Pump/Motor	Displacement	Type	Seal Code	Part Number
M	24/30	R	1	S23-00181-0
			4	S23-00181-4
			5	S23-00181-5