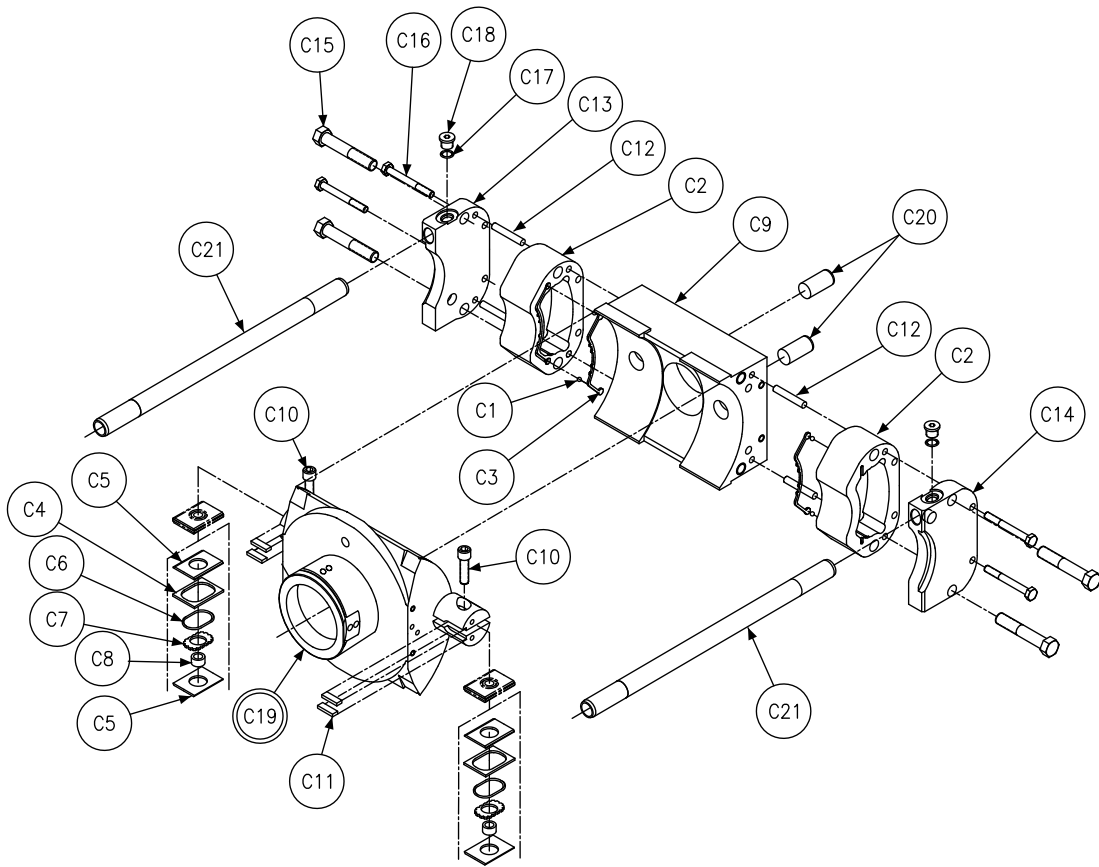


Pump Type
P/V/X/S/R/L
Motor Type
H/V/R/L



Section View - C - Cam & Cradle Assembly

Section C 24/30 Cam and Cradle Assembly									
Balloon #	Pump/Motor	Displacement	Type	Shaft Code	Rotation	Seal Code	Item #	Description	Qty
C1	P/M	24/30	P/X/S/ L/R/H/V	2/3/7/ 8/9/10	**	**	201-06001-0	CHECK BALL	4
C2	P/M	24/30	P/X/S/ L/R/H/V	**	**	**	033-71757-0	VANE CHAMBER	2
C3	P/M	24/30	P/X/S/ L/R/H/V	**	**	1	606-25045-0	MOLDED SEAL	2
						4	606-25040-4		
						5	606-25040-5		
C4	P/M	24/30	P/X/S/ L/R/H/V	**	**	**	033-71714-0	VANE SEAL	2
C5	P/M	24/30	P/X/S/ L/R/H/V	**			033-71726-0	VANE SEAL BACKUP PLATE	4
C6	P/M	24/30	P/X/S/ L/R/H/V	**	1	**	691-00128-0	O RING	2
	P/M	24/30	P/X/S/ L/R/H/V	**	4	**	694-00128-0		
	P/M	24/30	P/X/S/ L/R/H/V	**	5	**	695-00128-0		
C7	P/M	24/30	P/X/S/ L/R/H/V	**	**	**	033-71727-0	VANE SPACER	2
C8	P/M	24/30	P/X/S/ L/R/H/V	**	**	**	033-59806-0	SPACER (.2500/.2495-BLUE)	2
							033-59983-0	SPACER (.2515/.2510-YELLOW)	
							033-59984-0	SPACER (.2530/.2525-GREEN)	
							033-96138-0	SPACER (.2485/.2480-WHITE)	
C9	P/M	24/30	P/X/S/ L/R/H/V	**	**	**	033-91141-0	ROCKER CRADLE	1
C10	P/M	24/30	P/X/S/ L/R/H/V	**	**	**	359-13160-0	SHCS 5/16-24 UNF x 1	
C11	P/M	24/30	P/X/S/ L/R/H/V	**	**	**	033-70816-0	VANE HOLDDOWN	4
C12	P/M	24/30	P/X/S/ L/R/H/V	**	**	**	324-22428-0	PIN 3/8 x 1 3/4	4
C13	P	24/30	P/X/S/ L/R	**	CCW	**	033-71595-0	RIGHT CONTROL COVER	1
	P	24/30	P/X/S/ L/R		CW		033-71598-0		
	M	24/30	H/V		N				

Continued on next page.



Section C 24/30 Cam and Cradle Assembly									
Balloon #	Pump/Motor	Displacement	Type	Shaft Code	Rotation	Seal Code	Item #	Description	Qty
C14	P	24/30	P/X/S/L/R	**	CCW	**	033-71593-0	LEFT CONTROL COVER	1
	P	24/30	P/X/S/L/R		CW		033-71597-0		
	M	24/30	H/V		N				
C15	P/M	24/30	P/X/S/L/R/H/V	**	**	**	306-40174-0	HHCS 1/2-13 UNC x 3 1/4	4
C16	P/M	24/30	P/X/S/L/R/H/V	**	**	**	306-40035-0	HHCS 3/8-16 UNC x 3	4
C17	P/M	24/30	P/X/S/L/R/H/V	**	1	**	691-00905-0	O RING	2
	P/M	24/30	P/X/S/L/R/H/V	**	4	**	694-00905-0		
	P/M	24/30	P/X/S/L/R/H/V	**	5	**	695-00905-0		
C18	P/M	24/30	P/X/S/L/R/H/V	**	"	**	488-35020-0	HEX SOCKET PLUG	2
C19	P/M	24/30	P/X/S/L/R/H/V	**	**	**	S23-12482-0	CAM ROCKER	1
C20	P/M	24/30	P/X/S/L/R/H/V	**	**	**	324-24028-0	DOWEL PIN	2
C21	P/M	24	P/X/S/L/R/H/V	**	**	**	033-71731-0	OVERRIDE TUBE	2
		30					033-57933-0		

Cam & Cradle Assembly Kits Includes Items C1 Thru C19 and C21				
Part Number	Pump Type	Motor Type	Shaft Code	Rotation
S23-17242-5	P/X/S/L/R	H/V	2/3/7/8/9/10	CW-N
S23-17243-5	P/X/S/L/R		2/3/7/8/9/10	CCW