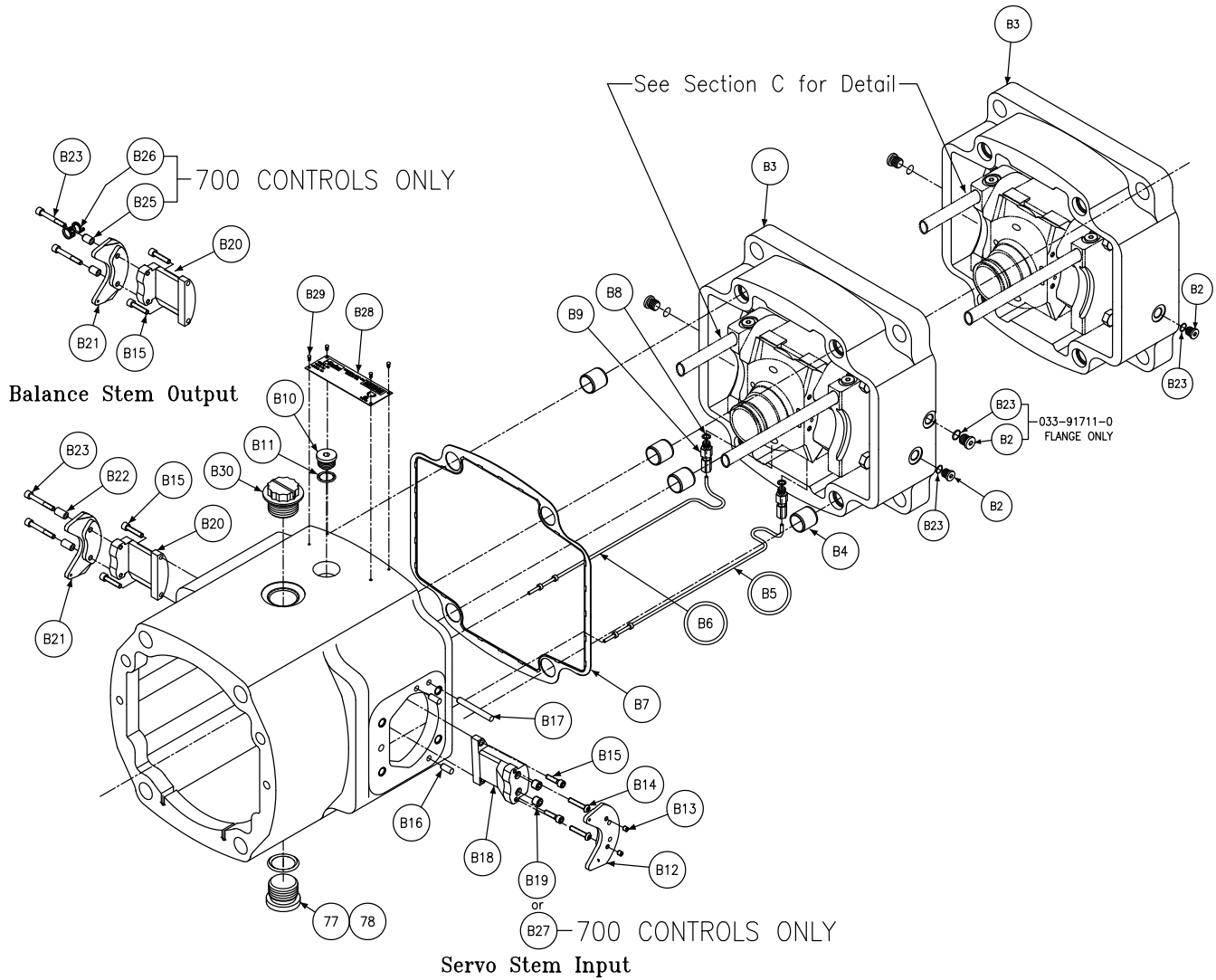


Pump Type  
P/V/X/S/L/R  
Motor Type  
H/V/L/R



Note: Above view shows input on "a" side of pump.

Section View - B - Housing, Mtg. Flange & Stem Assembly

Balloon #	Pump/Motor	Type	Shaft Code	Seal Code	Item #	Description	Qty
B3	P	P/V/S/X/R/L	2/3/10	**	033-71546-0	MOUNTING FLANGE	1
	M	V/H/R/L					
	P	P/V/S/X/R/L	7/8/9	**	033-91711-0		
	M	V/H/R/L					
B4	P/M	**	**	**	033-72664-0	MOUNTING SLEEVE	4
B5	P/M	**	**	**	S13-43966-0	RIGHT FEED TUBE	1
B6	P/M	**	**	**	S13-43967-0	LEFT FEED TUBE	1
B7	P/M	**	**	**	033-91076-0	MTG FLG GASKET	1
B8	P/M	**	**	1	691-00902-0	O RING	2
	P/M	**	**	4	694-00902-0		
	P/M	**	**	5	695-00902-0		
B9	P/M	**	**	**	492-15265-0	CONNECTOR	2
B10	P/M	**	**	**	033-91106-0	RETAINER BEARING	1
B11	P/M	**	**	1	691-00908-0	O RING	1
	P/M	**	**	4	694-00908-0		
	P/M	**	**	5	695-00908-0		
B12	P/M	**	**	**	033-53874-0	SERVO INPUT PLATE	1
B13	P/M	**	**	**	312-09032-0	SCREW	2
B14	P/M	**	**	**	353-25073-0	SCREW BUTTON HD	2
B15	P/M	**	**	**	359-09240-0	SCREW SHC	4
B16	P/M	**	**	**	325-16320-0	ROLL PIN	2
B17	P/M	**	**	**	324-21608-0	DOWEL PIN	4
B18	P/M	**	**	**	033-71596-0	SERVO STEM	1
B19	P	P/S/X/R/L	**	**	036-20641-0	ORIFICE .062	2
	M	V/H/R/L					
	P	V					1
B20	P	P/V/S/X/R/L	**	**	033-71616-0	BALANCE STEM	1
	M	V/H/R/L					
B21	P/M	**	**	**	033-70546-0	BALANCE PLATE	1
B22	P/M	**	**	**	033-71247-0	SPACER	2
B23	P/M	**	**	**	359-09180-0	SCREW SHC	2
B24	P/M	**	**	**	033-91191-0	HOUSING VV	1
B25	P	P/S/X/R/L	**	**	033-57270-0	SPACER	2
B26	P	P/S/X/R/L	**	**	033-57271-0	FEEDBACK SPRING	1

Continued on next page.



Section View - B - Housing, Mtg. Flange & Stem Assembly

Balloon #	Pump/Motor	Type	Shaft Code	Seal Code	Item #	Description	Qty
B27	P	P/S/X/R/L	**	**	033-93765-0	ORIFICE .043	2
B28	P	P/V/S/X/R/L	**	**	033-71907-0	NAMEPLATE	1
	M	V/H/R/L	**	**	033-71908-0		
B29	P/M	**	**	**	320-10203-0	DRIVE SCREW	4
B30	P/M	**	**	**	449-00019-0	SHIPPING PLUG	1

Stem Kits	
Input Stem Kits Include the Following: B12, B13, B14, B15, B18 and B19	
Input Stem Kits for 700 Control Include the Following: B12, B13, B14, B15, B18 and B27	
Output Stem Kits Include the Following: B15, B20, B21, B22 and B23	
Output Stem Kits for 700 Control Include the Following: B15, B20, B21, B23, B25 and B26	
Description	Part Number
Pump and Motor 11/14 Input Stem Kit	S23-12276-0
Pump and Motor 11/14 Output Stem Kit	S23-03782-0
Pump 11/14 Input Stem Kit for 700 Control	S23-03781-0
Pump 11/14 **V** Input Stem Kit	S23-17876-0
Pump 11/14 Output Stem Kit for 700 Control	S23-03948-0

