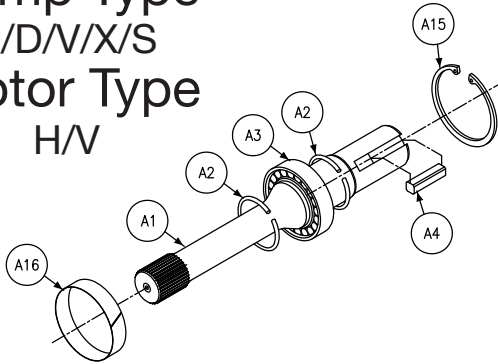
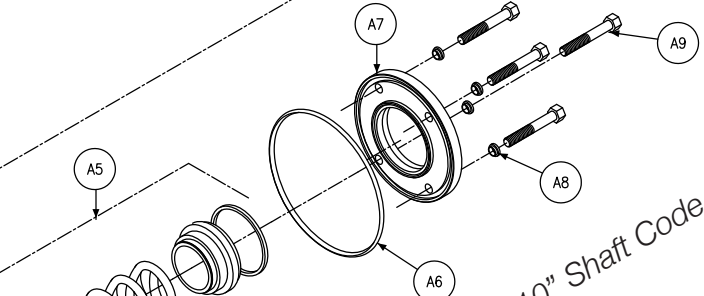
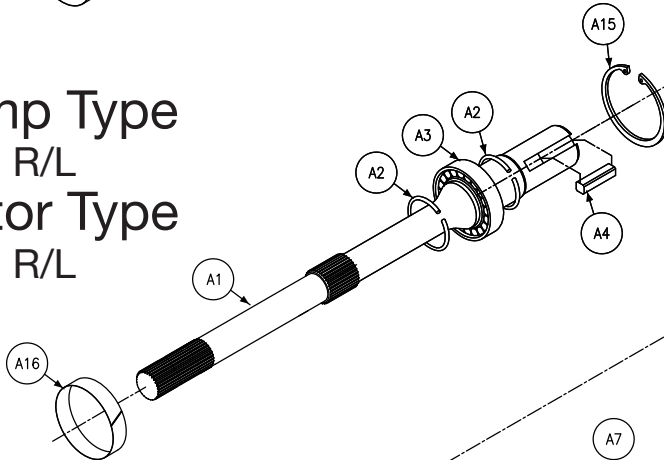


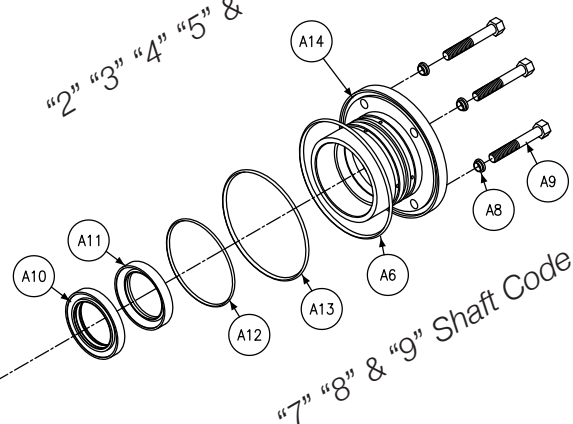
Pump Type
P/D/V/X/S
Motor Type
H/V



Pump Type
R/L
Motor Type
R/L



"2" "3" "4" "5" & "10" Shaft Code



"7" "8" & "9" Shaft Code

Section View - A - Input Shaft & Retainer Assembly

Section A P/M6-7-8 Input Shaft and Retainer Assembly								
Balloon #	Pump/Motor	Type	Shaft Code	Rotation	Seal Code	Item #	Description	Qty
A1	P	P/V/X/S	2	**	**	033-70579-0	SHAFT KEYED	1
	M	V/H						
	P	P/V/X/S	1/3	**	**	033-70567-0	SHAFT SPLINED	
	M	V/H						
	P	P/V/X/S	4	**	**	033-92283-0	SHAFT KEYED	
	M	V/H						
	P	P/V/X/S	5	**	**	033-92282-0	SHAFT SPLINED	
	M	V/H						
	P	P/V/X/S	7	**	**	033-92959-0	SHAFT KEYED	
	M	V/H						
	P	P/V/X/S	8	**	**	033-92943-0	SHAFT SPLINED	
	M	V/H						
	P	P/V/X/S	9	**	**	033-93605-0	SHAFT KEYED	
	M	V/H						
	P	P/V/X/S	10	**	**	033-93606-0	SHAFT KEYED	
	M	V/H						
	P/M	R/L	2	**	**	033-57862-0	SHAFT KEYED	
	P/M	R/L	1/3	**	**	033-57819-0	SHAFT SPLINED	
	P/M	R/L	4	**	**	033-93453-0	SHAFT KEYED	
	P/M	R/L	5	**	**	033-93418-0	SHAFT SPLINED	
P/M	R/L	7	**	**	033-93318-0	SHAFT KEYED		
P/M	R/L	8	**	**	033-94244-0	SHAFT SPLINED		
P/M	R/L	9	**	**	033-93611-0	SHAFT KEYED		
P/M	R/L	10	**	**	033-93612-0	SHAFT KEYED		
A2	P/M	**	1/2/3/7/8/9/10	**	**	033-70817-0	RETAINING RING	2
	P/M	**	4/5	**	**	033-70817-0	RETAINING RING	1
A3	P/M	**	1/2/3/7/8/9/10	**	**	230-82140-0	SHAFT BEARING	1
	P/M	**	4/5	**	**	230-00207-0	SHAFT BEARING	
A4	P/M	**	2/7	**	**	033-71348-0	KEY	1
	P/M	**	4	**	**	031-29899-0		
	P/M	**	9/10	**	**	033-93617-0		
A5	P/M	**	1/2/3/10	**	1	623-00006-0	SHAFT SEAL	1
					4	623-00006-4		
					5	623-00006-5		
			4/5	**	1	623-00016-0		
					4	623-00016-4		
5	623-00016-5							
A6	P/M	**	1/2/3/7/8/9/10	**	1	671-00043-0	O RING	1
					4	674-00043-0		
					5	675-00043-0		
			4/5	**	1	671-00249-0		
					4	674-00249-0		
					5	675-00249-0		
A7	P/M	**	1/2/3/10	**	**	033-57872-0	SEAL RETAINER	1
			4/5					
A8	P/M	**	1/2/3/7/8/9/10	**	**	631-45003-0	GASKET	4
			4/5			631-45007-0		



Section View - A - Input Shaft & Retainer Assembly

Section A P/M6-7-8 Input Shaft and Retainer Assembly								
Balloon #	Pump/Motor	Type	Shaft Code	Rotation	Seal Code	Item #	Description	Qty
A9	P/M	**	1/2/3/7/8/9/10	**	**	306-40144-0	HHCS 1/4-20 UNC X 1-3/4	4
			4/5			306-40016-0	HHCS 3/8-16 UNC X 1"	
A10	P	P/V/X/S/R/L	7/8/9	**	1	620-82066-0	INNER SHAFT SEAL	1
	M	V/H/R/L						
	P	P/V/X/S/R/L	7/8/9	**	4	Not available		
	M	V/H/R/L						
	P	P/V/X/S/R/L	7/8/9	**	5	Not available		
	M	V/H/R/L						
A11	P	P/V/X/S/R/L	7/8/9	**	1	620-82114-0	OUTER SHAFT SEAL	1
					4	Not available		
					5	Not available		
A12	P/M	**	7/8/9	**	1	671-00036-0	O RING	1
					4	674-00036-0		
					5	675-00036-0		
A13	P/M	**	7/8/9	**	1	671-00037-0	O RING	1
					4	674-00037-0		
					5	675-00037-0		
A14	P/M	**	7/8/9	**	**	033-92465-0	SEAL RETAINER	1
A15	P/M	**	1/2/3/7/8/9/10	**	**	033-53901-0	RET RING .066/.068 RED	Select Fit 1 Only
						033-53902-0	RET RING .070/.072 GREEN	
			033-53903-0			RET RING .074/.076 YELLOW		
			4/5			356-65139-0	RETAINING RING	1
A16	P	P/V/X/S/R/L	2/3/10	**	**	033-53948-0	SHIM .008"	Select Fit 1 Only
	M	V/H/R/L				033-53949-0	SHIM .007"	

