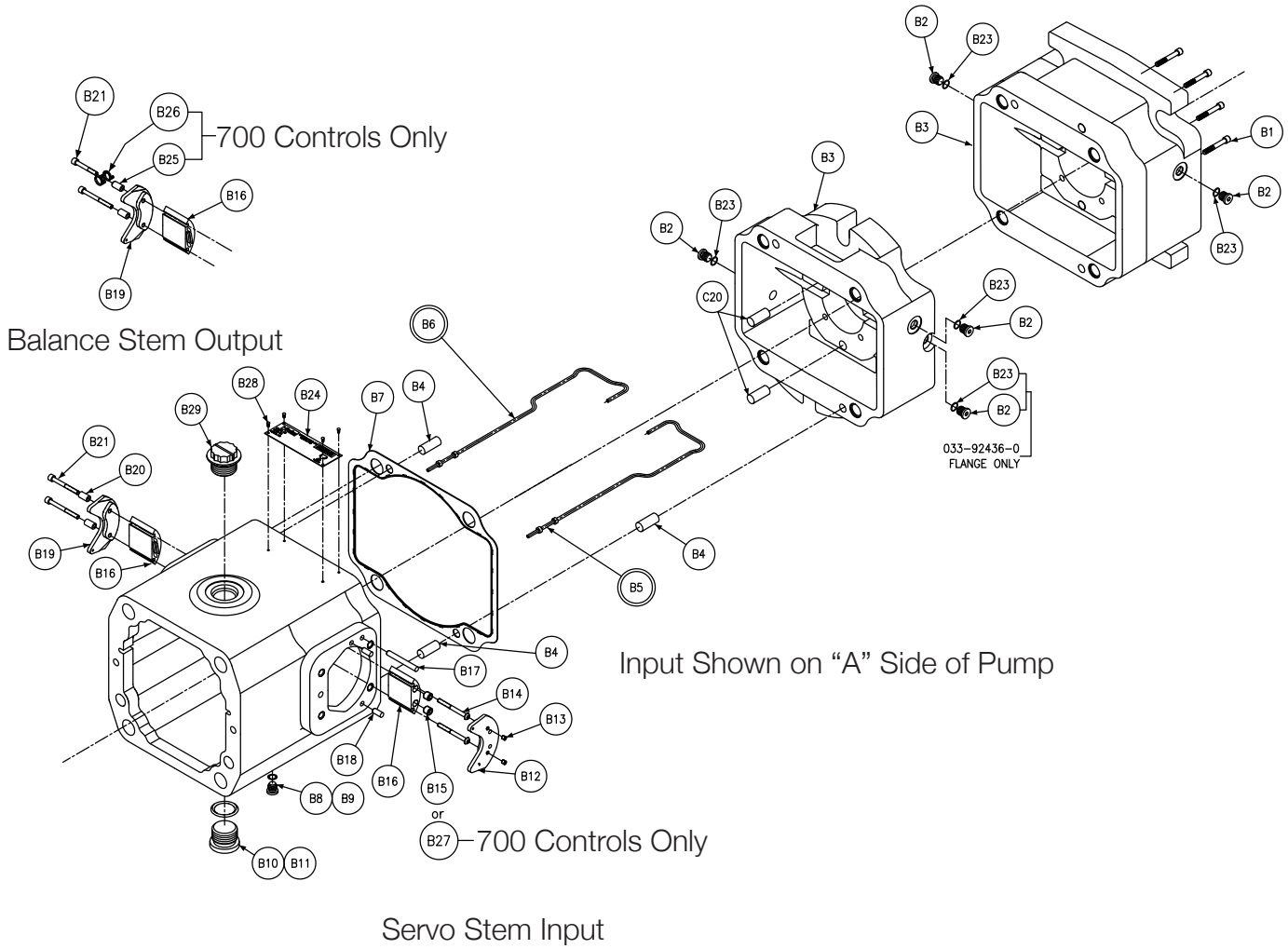


Pump Type
P/D/V/X/S/R/L
Motor Type
H/V/R/L



Section View - B - Housing, Mounting Flange & Stem Assembly

Section B P/M6/7/8 P/D/V/X/S/R/L/H							
Balloon #	Pump/Motor	Type	Shaft Code	Seal Code	Item #	Description	Qty
B1	P	P/D/V/S/X/R/L	4/5	**	358-12200-0	SHCS 1/4-20 UNC X 1 1/2	4
	M	V/H/R/L					
B2	P	P/D/V/S/X/R/L	2/3/10	**	033-71546-0	HEX SOC. PLUG	2
	M	V/H/R/L					
	P	P/D/V/S/X/R/L	4/5				2
	M	V/H/R/L					
	P	P/D/V/S/X/R/L	7/8/9				3
	M	V/H/R/L					
B3	P	P/D/V/S/X/R/L	2/3/10	**	033-70604-0	MOUNTING FLANGE	1
	M	V/H/R/L		**			
	P	P/D/V/S/X/R/L	4/5	**	033-92280-0		
	M	V/H/R/L		**			
	P	P/D/V/S/X/R/L	7/8/9	**	033-92436-0		
	M	V/H/R/L		**			
B4	P/M	**	**	**	324-22412-0	DOWEL PIN	4
B5	P/M	**	**	**	S13-42403-0	LEFT FEED TUBE	1
B6	P/M	**	**	**	S13-42402-0	RIGHT FEED TUBE	1
B7	P/M	**	**	**	033-91067-0	GASKET HSG/MTG FLG	1
B8	P/M	**	**	1	691-00908-0	O RING	1
				4	694-00908-0		
				5	695-00908-0		
B9	P/M	**	**	**	033-91106-0	RETAINER BEARING	1
B11	P/M	**	**	1	691-00908-0	O RING	1
				4	694-00908-0		
				5	695-00908-0		
B12	P/M	**	**	**	033-53874-0	SERVO INPUT PLATE	1
B13	P/M	**	**	**	312-09032-0	SCREW	2
B14	P/M	**	**	**	353-25041-0	BHSS 10-24 UNC X 2	2
B15	P	P/D/S/X/R/L	**	**	033-70819-0	ORFICE .062	2
	M	R/L					
	P	V					1
	M	H/V					
B16	P/M	**	**	**	033-71312-0	SERVO STEM	1
B17	P/M	**	**	**	325-16280-0	SPRING PIN	2
B18	P/M	**	**	**	324-21608-0	DOWEL PIN	2
B19	P/M	**	**	**	033-70546-0	BALANCE STEM	1
B20	P/M	**	**	**	033-71247-0	SPACER	2
B21	P/M	**	**	**	358-10300-0	SHCS 10-24 UNC X 2 3/4	2



Section View - B - Housing, Mounting Flange & Stem Assembly

Section B P/M6/7/8 P/D/V/X/S/R/L/H							
Balloon #	Pump/Motor	Type	Shaft Code	Seal Code	Item #	Description	Qty
B22	P/M	**	**	**	033-91108-0	HOUSING VV	1
B23	P/M	**	1/2/3/ 4/5/10	1	691-00904-0	O RING	2
				4	694-00904-0		
				5	695-00904-0		
		**	7/8/9	1	691-00904-0		3
				4	694-00904-0		
				5	695-00904-0		
B24	P	**	**	**	033-71907-0	NAMEPLATE	1
	M				033-71908-0		
B25	P	**	**	**	033-57270-0	SPACER	2
B26	P	**	**	**	033-57271-0	FEEDBACK SPRING	1
B27	P	**	**	**	033-53824-0	ORIFICE .043	2
B28	P/M	**	**	**	320-10203-0	DRIVE SCREW	4
B29	P/M	**	**	**	449-00018-0	SHIPPING PLUG	1

Stem Kits	
Input Stem Kits Include the Following: B12, B13, B14, B15 and B16	
Input Stem Kits for 700 Control Include the Following: B12, B13, B14, B16 and B27	
Output Stem Kits Include the Following: B16, B19, B20 and B21	
Output Stem Kits for 700 Control Include the Following: B16, B19, B21, B25 and B26	
	Part Number
Motor and Pump 6/7/8 Input Stem Kit	S23-12681-0
Motor and Pump 6/7/8 Output Stem Kit	S23-03383-0
Pump 6/7/8 Input Stem Kit for 700 Control	S23-03382-0
Pump 6/7/8 **V** Input Stem Kit	S23-12468-0
Pump 6/7/8 Output Stem Kit for 700 Control	S23-03382-0