

Hydraulic Motors M3 - M4 Series

Denison Vane Technology, fixed displacement



ENGINEERING YOUR SUCCESS.

General Information	Introduction and product key features	3
	Description of the M3 - M4 motors	4
Main Technical Data	Installation and connection	5
	Displacement and specific torque.....	6
	Maximum speed and pressure	6 - 7
	Hydraulic fluids and seals.....	8
	Motor installation	8
Ordering Code	M3B - M3B1 motors.....	8
	M4C - M4C1 motors	10
	M4D - M4D1 motors	12
	M4E - M4E1 motors.....	14
Operating characteristics	M3B - M3B1 motors.....	8
	M4C - M4C1 motors	10
	M4D - M4D1 motors	12
	M4E - M4E1 motors.....	14
Dimension Drawings	M3B - M3B1 motors.....	9
	M4C - M4C1 motors	11
	M4D - M4D1 motors	13
	M4E - M4E1 motors.....	15
Technical Data	M3B - M3B1 performance charts	16 - 17
	M4C - M4C1 performance charts.....	17 - 19
	M4D - M4D1 performance charts.....	20 - 22
	M4E - M4E1 performance charts	22 - 23
	Minimum replenishment pressure during deceleration.....	23
Circuit Design	Motor selection example.....	24
	Hydraulic fluids, types of seals, motor installation	25
	Shaft and coupling data.....	26
	Start-up instructions	26
	Warning	27

The M3 - M4 hydraulic motors

Introduction

This wide range of hydraulic vane motors allows selection of a model to suit any particular application. They are used industrially where there is a need to provide a relatively high torque from a power source of small dimensions.

The low moment of inertia of the rotating group admits high acceleration and deceleration resulting in rapid response to system control signals.

This catalogue describes the existing sizes of M3B and M4 hydraulic vane motors in their various standard construction types. Equipment manufacturers who may request additional options or have specific requests, are welcome to contact us for a tailored solution study.



Licensing for this image came with permission from the Parker Hannifin Media Manager collection.

Key features

Reliable performance

The M3 and M4 motors have been designed especially for severe duty applications which require long lasting medium pressure, high speed and reversing capabilities even with low fluid lubricity. Their performances remain stable over time.

Long lifetime

The fully pressure balanced concept increase the motor lifetime over its full speed range. Double lip vanes reduce the sensitivity to fluid pollution.

The bearing capabilities are totally dedicated to the external loads on the shaft ends, whatever the operating pressures are.

Low noise

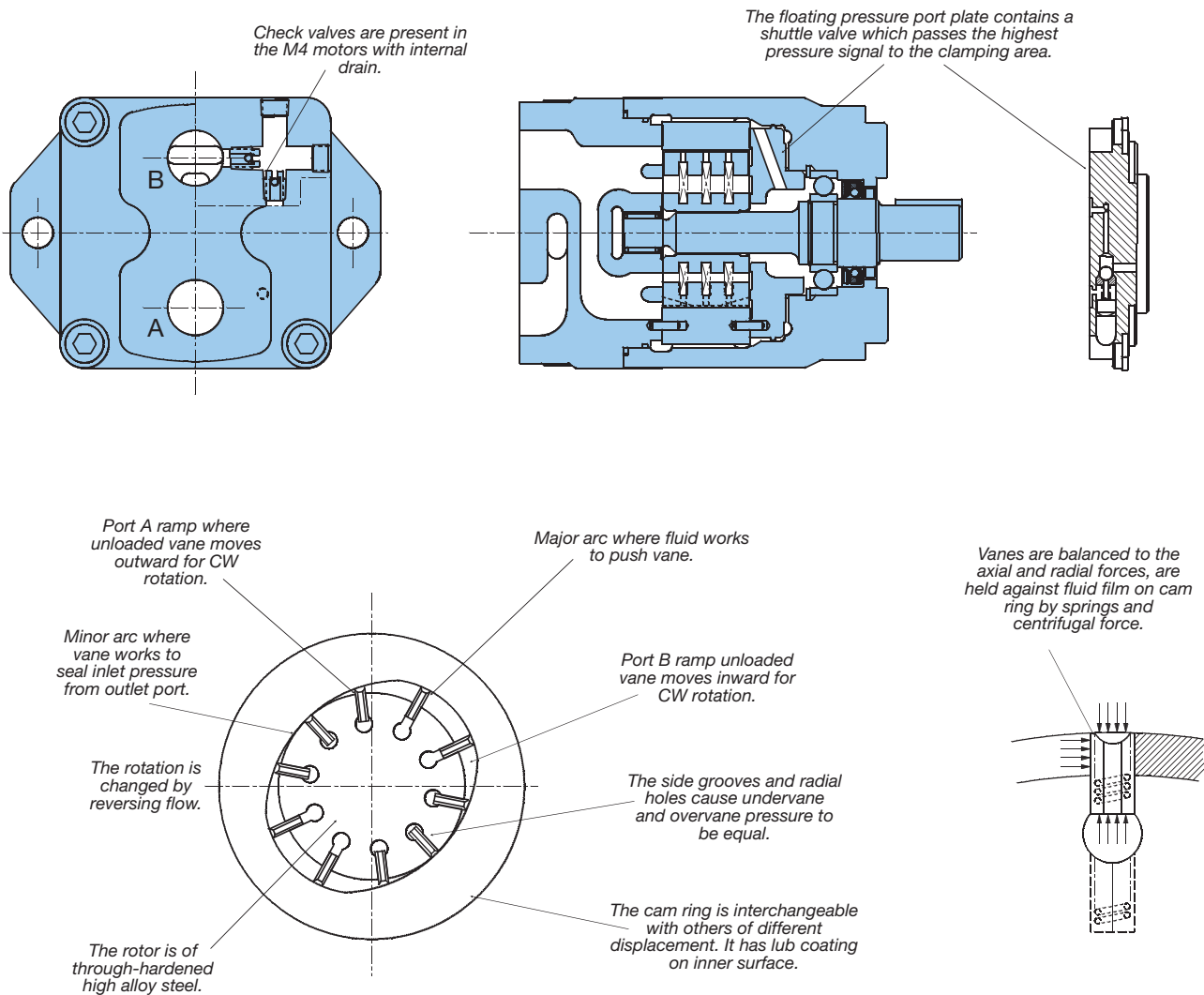
Simply silent! The Denison Vane Technology allows a very low noise level, whatever the speed.

Low torque ripple

Thanks to their 10 vanes, advanced cam ring profile, two torque cycles per revolution and low internal dead volumes, the M3 and M4 motors exhibit a very low torque ripple, even at low speeds.

Versatility and compactness

With several displacements for the same installation size, the M3 and M4 motors are very powerful and compact.



Operation

- The motor shaft is driven by the rotor. The vanes, closely fitted into the rotor slots move radially to seal against the cam ring. The ring has two major and two minor radial sections joined by transitional sections called ramps. These contours and the pressures exposed to them are balanced diametrically.
- Light springs urge the vanes radially against the cam contour assuring a seal at zero speed so the motor can develop starting torque. The springs are assisted by centrifugal force at higher speeds. Radial grooves and holes through the vanes equalize radial hydraulic forces on the vanes at all times. Fluid enters and leaves the motor cartridge through opening in the side plates at the ramps. Each motor port connects to two diametrically opposed ramps. Pressurized fluid entering at Port A torques the rotor clockwise. The rotor transports it to the ramp openings which connect to Port B from which it returns to the low pressure side of the system. Pressure at Port B torques the rotor counter-clockwise.
- The rotor is axially separated from the sideplate surface by the fluid film. The front pressure port plate is clamped against the cam ring by the pressure, maintains optimum clearance as dimensions change with temperature and pressure. A 3-way shuttle valve in the port plate causes clamping pressure in Port A or B, whichever is the highest.
- Materials are chosen for long life efficiency. The vanes, rotor and cam ring are made out of hardened high alloy steels. The cast iron port plate and the end cap are chemically etched to offer a fine crystalline surface allowing a better lubrication at start-up.

Installation and connection

	Mounting flange	Weight without connector and bracket - kg	Moment of inertia $\text{kgm}^2 \times 10^{-4}$	Option for inlet and outlet port
M3B	SAE J744c ISO/3019-1 SAE A	8,0	3,0	SAE threaded SAE 4 bolts J718c ISO/DIS 6162-1 - 3/4" BSPP threaded
M4C	SAE J744c ISO/3019-1 SAE B	15,4	7,9	SAE threaded SAE 4 bolts J718c ISO/DIS 6162-1 - 1"
M4D	SAE J744c ISO/3019-1 SAE C	27,0	21,8	SAE threaded SAE 4 bolts J718c ISO/DIS 6162-1 - 1.1/4"
M4E	SAE J744c ISO/3019-1 SAE C	45,0	58,5	SAE threaded SAE 4 bolts J718c ISO/DIS 6162-1 - 2"

Drain line option

All these motors may be equipped with internal drain. Then the model numbers will be M3B1, M4C1, M4D1, M4E1.

- Externally drained motors M3B, M4C, M4D, M4E : These motors may be alternately pressurized at Ports A & B. Whichever port is at low pressure should not be subjected to more than 35 bar.

If it is necessary to exceed these limitations, please contact your Parker representative for application assistance.

- Internally drained motors M3B1, M4C1, M4D1, M4E1 : These motors may be alternately pressurized at Ports A & B. Whichever port is at low pressure must not be subjected to more than 1,5 bar for M3B, 3,5 bar for M4 (pressure peak 7 bar).

Displacement and specific Torque

Series	Size	Ring size	Theor. Displ. V_i	Theoretical Torque T	Power at 100 rpm	Torque T		Power P	
			cm/rev.	Nm/bar	kW/bar	n = 2000 rpm at Δp 175 bar		n = 2000 rpm at Δp 175 bar	
						Nm		kW	
M3	B	009	9,2	0,130	0,0015	19,7		4,3	
		012	12,3	0,186	0,0020	26,7		5,8	
		018	18,5	0,304	0,0032	46,6		10,0	
		027	27,8	0,485	0,0050	77,4		16,3	
		036	37,1	0,624	0,0065	102,0		21,1	
M4	C	024	24,4	0,39	0,0040	60,5		12,7	
		027	28,2	0,45	0,0047	70,0		14,7	
		031	34,5	0,55	0,0058	86,8		18,0	
		043	46,5	0,74	0,0078	120,0		25,1	
		055	58,8	0,93	0,0098	149,0		31,2	
		067	71,1	1,13	0,0120	170,0		35,6	
		075	80,1	1,27	0,0130	198,0		41,5	
	D	062	65,1	1,04	0,0110	165,0		34,6	
		074	76,8	1,22	0,0130	200,0		41,9	
		088	91,1	1,45	0,0150	236,0		49,4	
		102	105,5	1,68	0,0180	264,0		55,3	
		113	116,7	1,86	0,0200	300,0		62,8	
		128	132,4	2,11	0,0220	340,0		71,2	
		138	144,4	2,30	0,0240	372,0		77,9	
	E	153	158,5	2,52	0,0260	398,0		83,4	
		185	191,6	3,05	0,0320	484,0		101,4	
		214	222,0	3,53	0,0370	567,0		118,8	

For further information or if the performance characteristics outlined above do not meet your own particular requirements, please consult your local Parker representative.

To insure maximum motor performance in conjunction with your specific application, consult your local Parker representative if your application requires, minimum speed of less than 100 rpm, indirect drive, overrunning loads, braking or retarding.

Maximum Speed and pressure

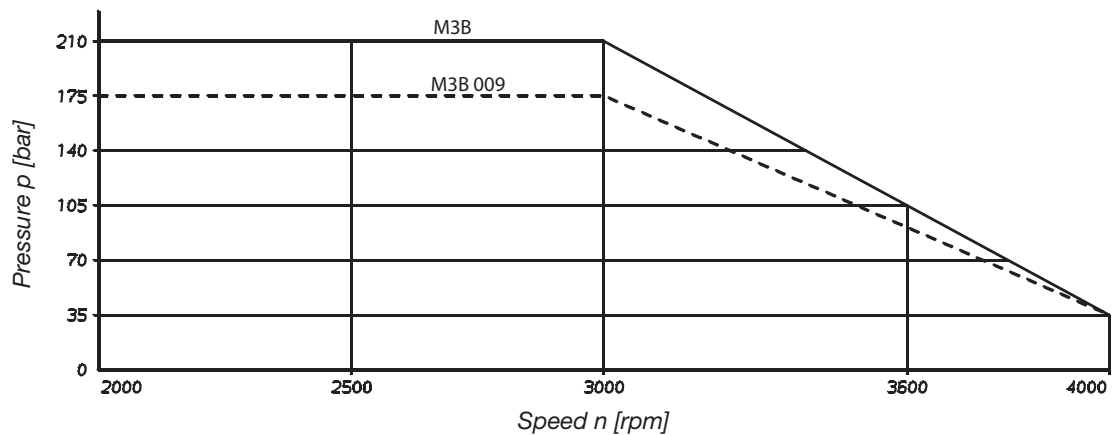
Series	Size	Displ.	Max. pressure					Operating pressure range drain	Max. speed for low loaded condition ¹⁾	Max. speed for max. pressure ratings						
			HF-0	HF-6a	HF-1	HF-3	HF-4			HF-0, HF-2		HF-6a, HF6b		HF-1		
			HF-2	HF-6b		HF-5				Cont.	Int. ²⁾	Cont.	Int. ²⁾	Cont.	Int. ²⁾	
			bar	bar	bar	bar	bar	rpm	rpm	rpm	rpm	rpm	rpm	rpm	rpm	
M3	B	009	175				1.5	4000	3000	3600						
		012	210													
		018														
		027														
		036														
M4	C	024	230	175	175	140	4000	2500	3600	2500	3600	2000	2500			
		027														
		031														
		043	210													
		055														
		067														
	075	175														
	D	062	230	140	140	140	4000	2500	3000	2500	3000	2000	2500			
		074														
		088														
		102	210													
		113														
		128												190		
	138	175														
	E	153	190	140	140	140	3600	2500	3000	2500	3000	1800	2200			
185		180														
214		175														

¹⁾ Low loaded condition 35 bar for M3, 80 bar max. for M4 (see page 8).
²⁾ Intermittent speed - Do not exceed 6 seconds per minute of operation.

- HF-0, HF-2 = Antiwear petroleum base.
- HF-1 = Non antiwear petroleum base.
- HF-3 = Water in oil emulsions.
- HF-4 = Water glycols.
- HF-5 = Synthetic fluids.
- HF-6a = Saturated HEES Bio fluids.
- HF-6b = Partially saturated HEES Bio fluids.

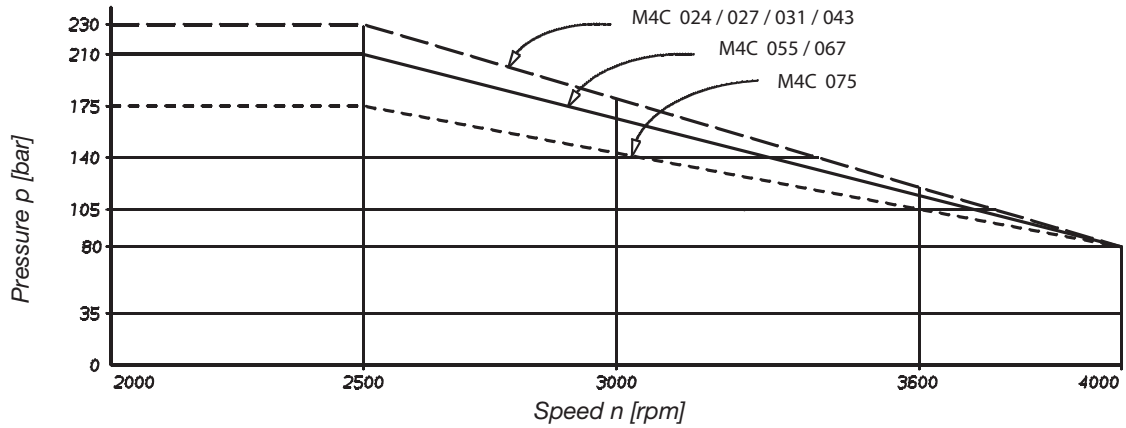
Internal drain : All these motors may be equipped with internal drain. Then the model will be M3B1, M4C1, M4D1, M4E1.

Maximum ratings M3B

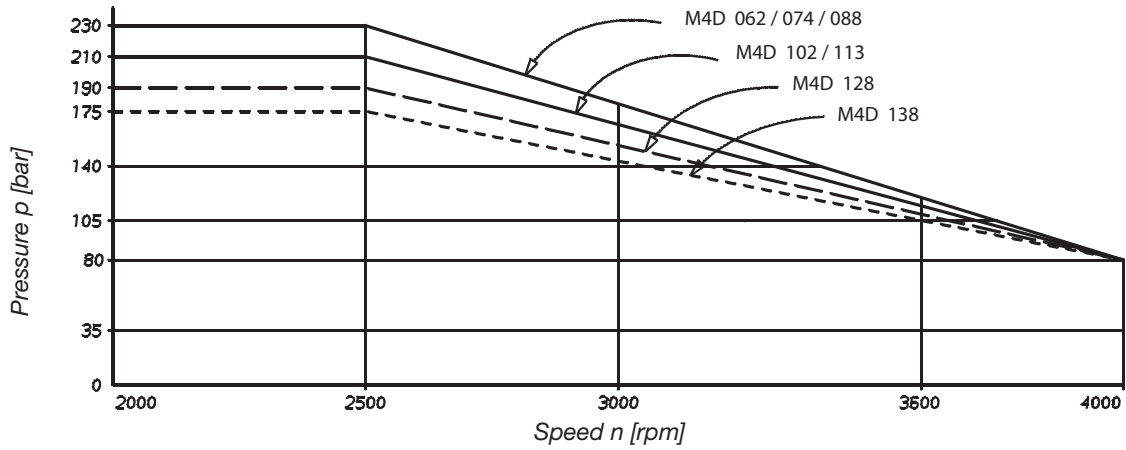


- Running condition limits - Typical curves at 26 cSt @ 45°.
 - For higher specifications or for operating speed under < 100 rpm, please consult Parker.

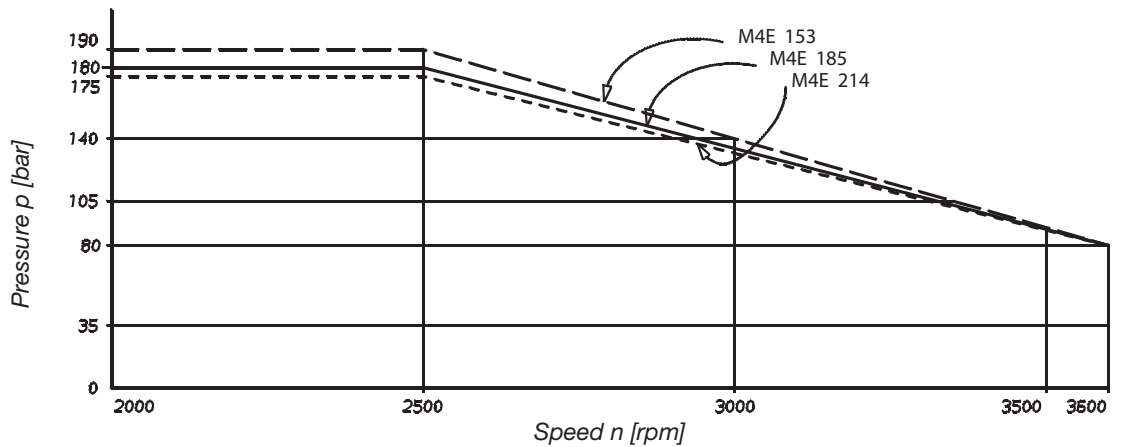
Maximum ratings M4C



Maximum ratings M4D



Maximum ratings M4E



- Running condition limits - Typical curves at 26 cSt @ 45°.
- For higher specifications or for operating speed under < 100 rpm, please consult Parker.

Model No. **M3B1**
M3B - 036 - 1 N 00 - B 1 01 -

M3B - Series external drain
M3B1 - Series internal drain

Torque
 009 = 0,130 Nm/bar
 012 = 0,186 Nm/bar
 018 = 0,304 Nm/bar
 027 = 0,485 Nm/bar
 036 = 0,624 Nm/bar

Type of shaft
 1 = keyed (non SAE)
 3 = splined (SAE A)
 4 = splined (SAE B)

Direction of rotation (shaft end view)
 N = bi-directional

CW rotation => A = inlet B = outlet
 CCW rotation => B = inlet A = outlet

Modifications

Ports

00 = SAE threaded port
 SAE drain
 01 = 4 bolts SAE flange with UNC threads
 BSPP drain
 02 = BSPP threaded port
 BSPP drain

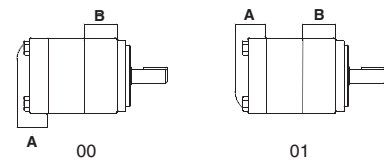
Seal class

1 = S1 - BUNA N
 5 = S5 - VITON®

Design letter

Porting combination

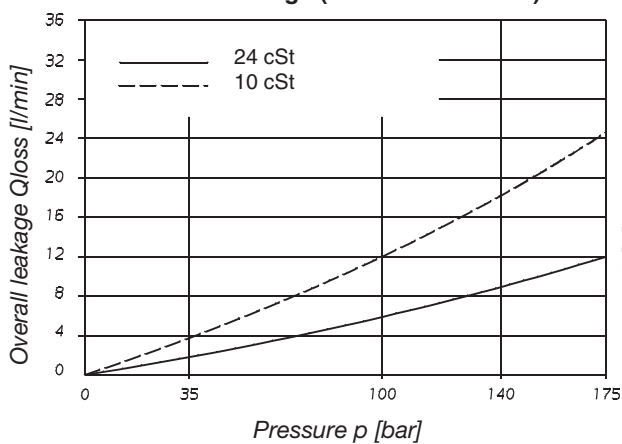
00 = standard



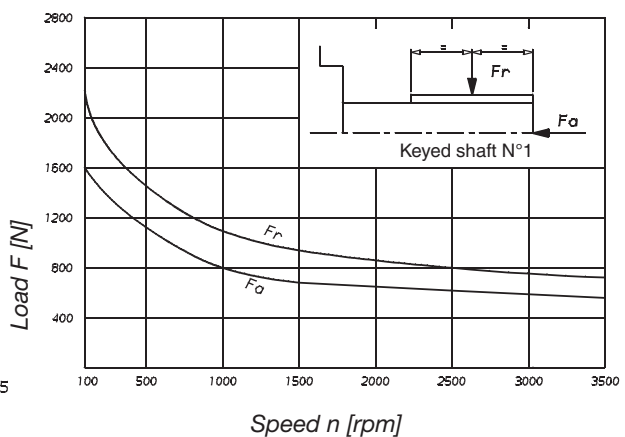
Operating Characteristics - Typical [24 cSt]

Model	V _i Volumetric displacement cm ³ /rev.	Input flow at n = 2000 rpm		Torque T at n = 2000 rpm	Power output at n = 2000 rpm
		Theoretical	at 175 bar Δ p	at 175 bar Δ p	at 175 bar Δ p
		l/min	l/min	Nm	kW
M3B 009	9,2	18,4	30,4	19,7	4,3
M3B 012	12,3	24,6	36,6	26,7	5,8
M3B 018	18,5	37,0	49,0	46,6	10,0
M3B 027	27,8	55,6	67,6	77,4	16,3
M3B 036	37,1	74,2	86,2	102,0	21,1

Overall Leakage (internal + external)



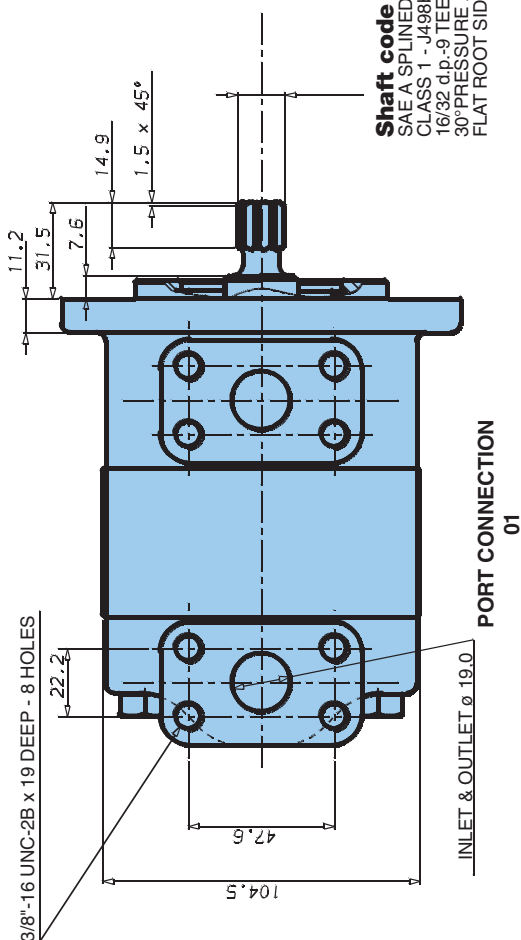
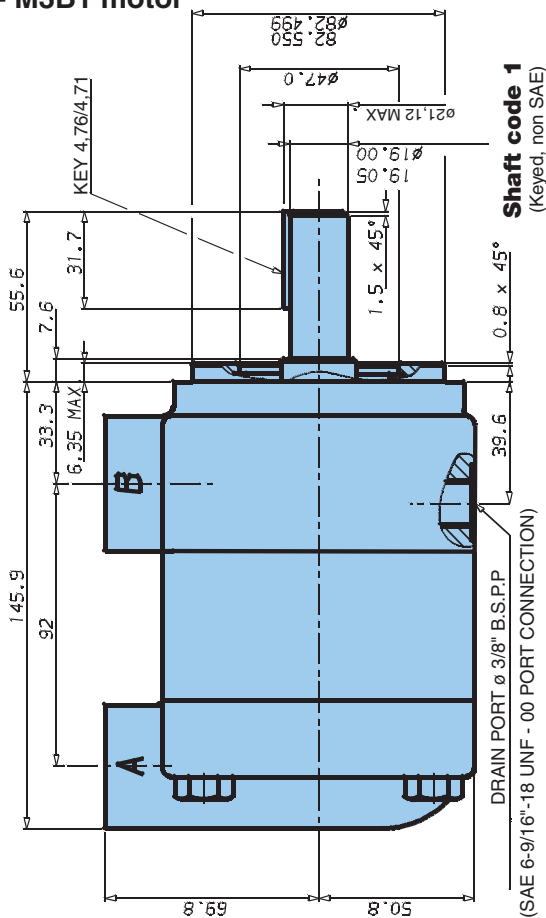
Permissible shaft loads



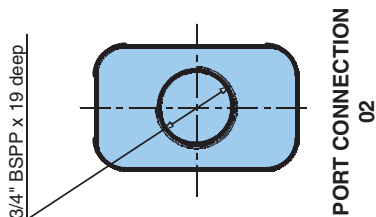
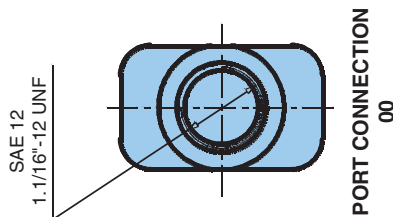
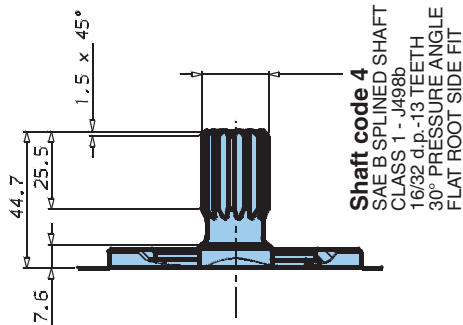
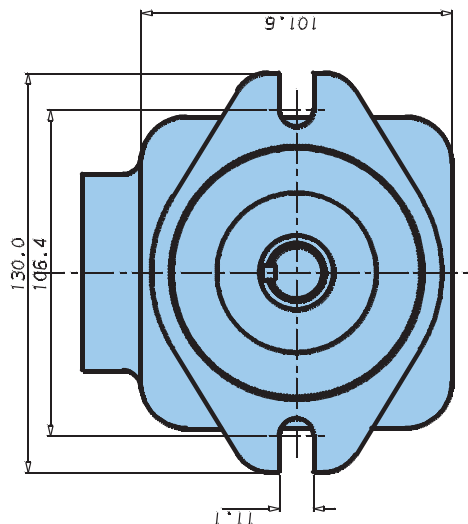
Do not apply Fr and Fa loads simultaneously

M3B - M3B1 motor

Weight : 8,0 kg



Shaft code 3
 SAE A SPLINED SHAFT
 CLASS 1 - J498b
 16/32 d.p.-9 TEETH
 30° PRESSURE ANGLE
 FLAT ROOT SIDE FIT



Model No. **M4C1**
M4C - 067 - 1 N 00 - A 1 02 ..

M4C - Series external drain
M4C1 - Series internal drain

Torque
 024 = 0,39 Nm/bar
 027 = 0,45 Nm/bar
 031 = 0,55 Nm/bar
 043 = 0,74 Nm/bar
 055 = 0,93 Nm/bar
 067 = 1,13 Nm/bar
 075 = 1,27 Nm/bar

Type of shaft
 1 = keyed (SAE B)
 2 = keyed (non SAE)
 3 = splined (SAE B)

Direction of rotation (shaft end view)
 N = bi-directional

Modifications

Ports

01 = SAE threaded port
 SAE drain
 02 = 4 bolt SAE flange with UNC threads
 SAE drain
 M4 = 4 bolt SAE flange with Metric threads
 BSPP drain

Seal class

1 = S1 - BUNA N
 5 = S5 - VITON®

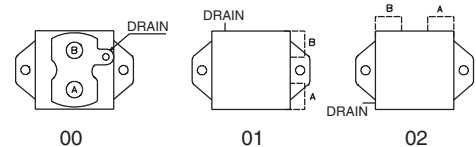
Design letter

Porting combination

00 = standard

REAR PORT

SIDE PORTS

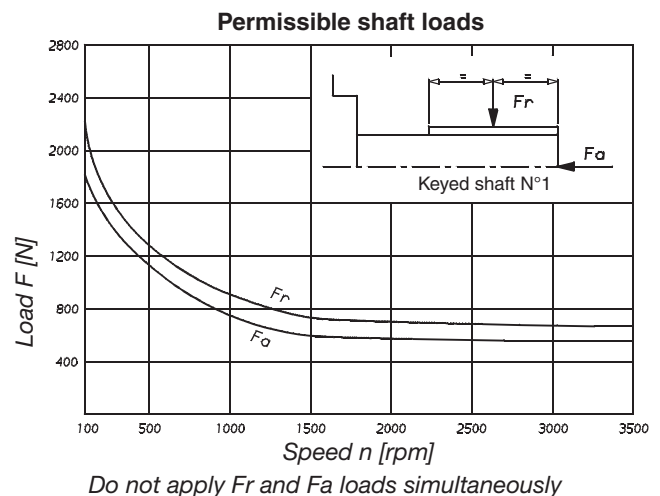
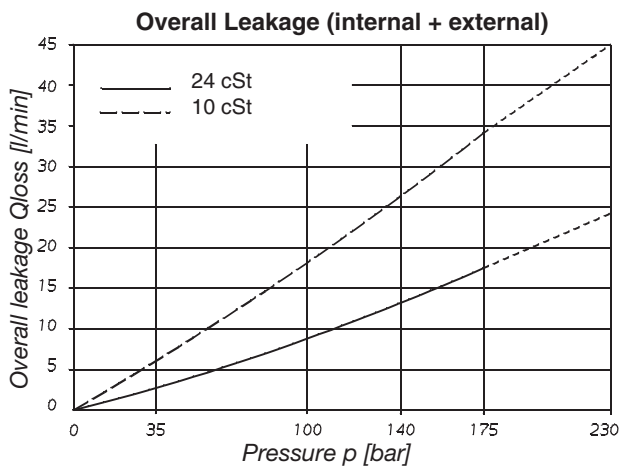


M4C1 : Drain port is plugged.

CW rotation => A = inlet B = outlet
 CCW rotation => B = inlet A = outlet

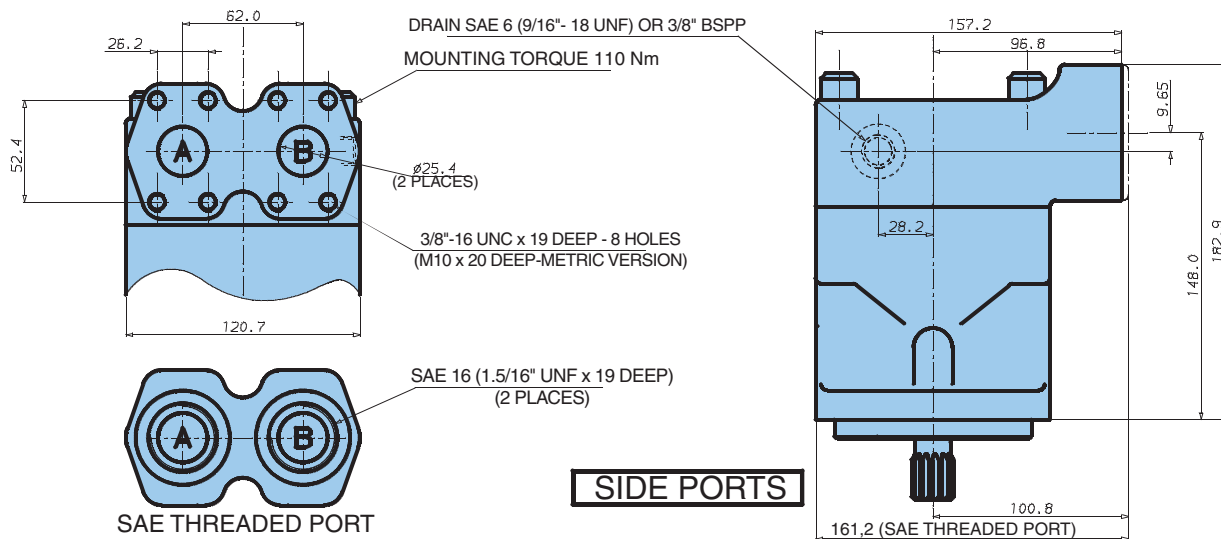
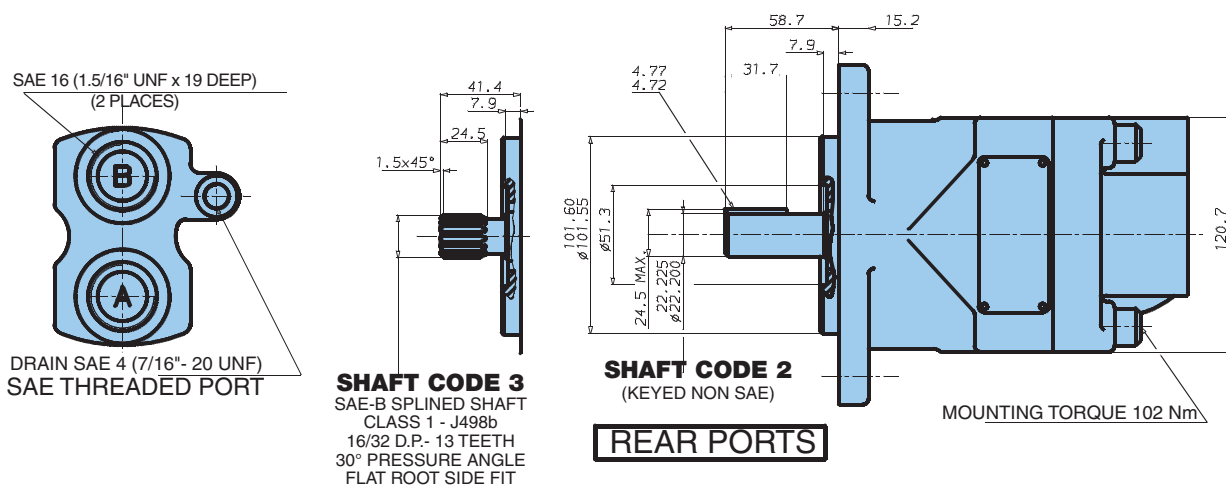
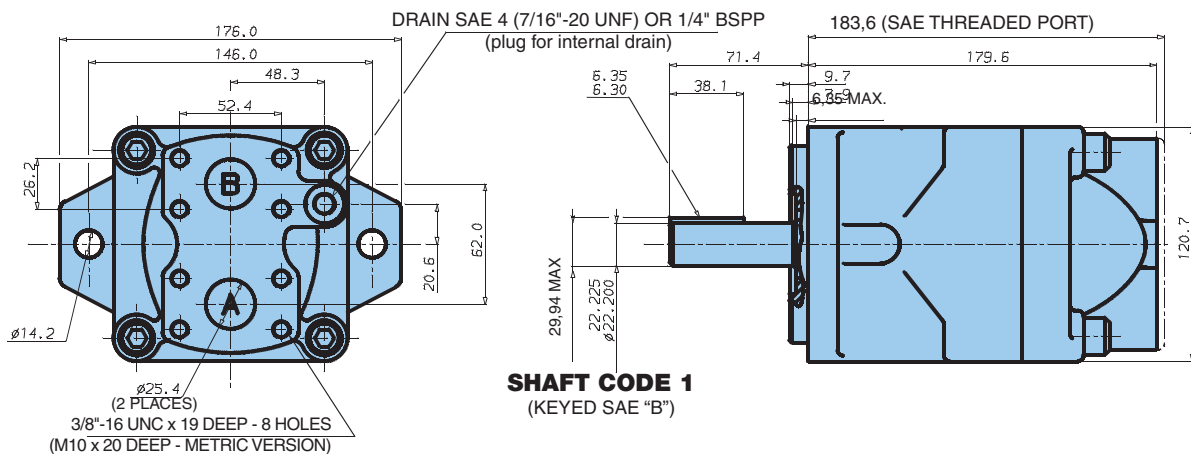
Operating Characteristics - Typical [24 cSt]

Model	V _i Volumetric displacement cm ³ /rev.	Input flow at n = 2000 rpm		Torque T at n = 2000 rpm	Power output at n = 2000 rpm
		Theoretical	at 175 bar Δ p	at 175 bar Δ p	at 175 bar Δ p
		l/min	l/min	Nm	kW
M4C 024	24,4	49,0	67,0	60,5	12,7
M4C 027	28,2	56,0	74,0	70,0	14,7
M4C 031	34,5	69,0	87,0	86,8	10,8
M4C 043	46,5	93,0	110,0	120,0	25,1
M4C 055	58,8	118,0	136,0	149,0	31,2
M4C 067	71,1	142,0	160,0	170,0	35,6
M4C 075	80,1	160,0	178,0	198,0	41,5



M4C - M4C1 motor

Weight : 15,4 kg



Model No. **M4D1**
M4D - 138 - 1 N 00 - B 1 02 ..

M4D - Series external drain

M4D1 Series internal drain

Torque

- 062 = 1,04 Nm/bar
- 074 = 1,22 Nm/bar
- 088 = 1,45 Nm/bar
- 102 = 1,68 Nm/bar
- 113 = 1,86 Nm/bar
- 128 = 2,11 Nm/bar
- 138 = 2,30 Nm/bar

Type of shaft

- 1 = keyed (SAE C)
- 3 = splined (SAE C)

Direction of rotation (shaft end view)

N = bi-directional

Modifications

Ports

- 01 = SAE threaded port
SAE drain
- 02 = 4 bolt SAE flange with UNC threads
SAE drain
- M4 = 4 bolt SAE flange with Metric
threads
BSPP drain

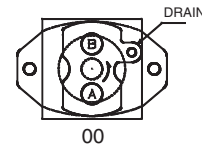
Seal class

- 1 = S1 - BUNA N
- 5 = S5 - VITON®

Design letter

Porting combination

00 = standard

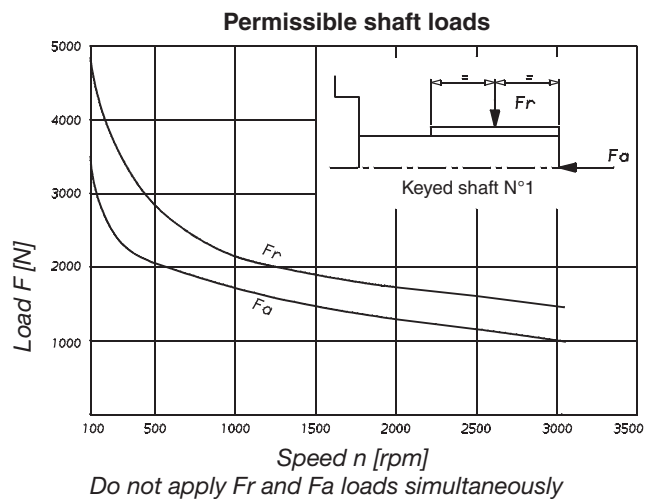
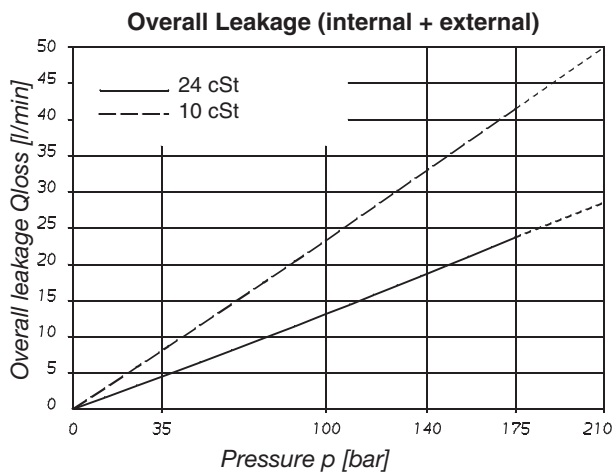


M4D1 : Drain port is plugged.

CW rotation => A = inlet B = outlet
 CCW rotation => B = inlet A = outlet

Operating Characteristics - Typical [24 cSt]

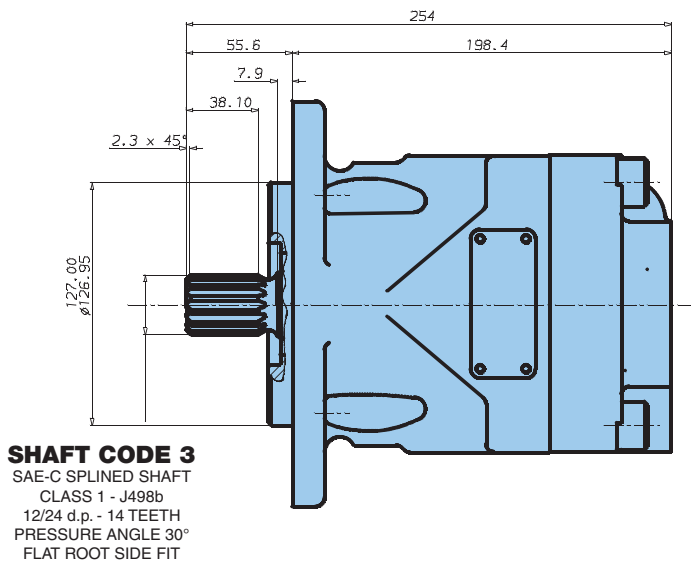
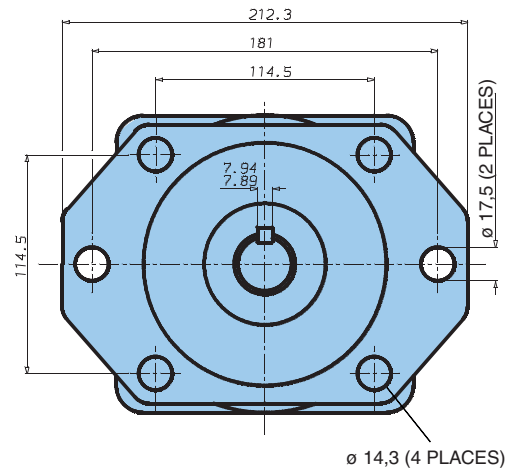
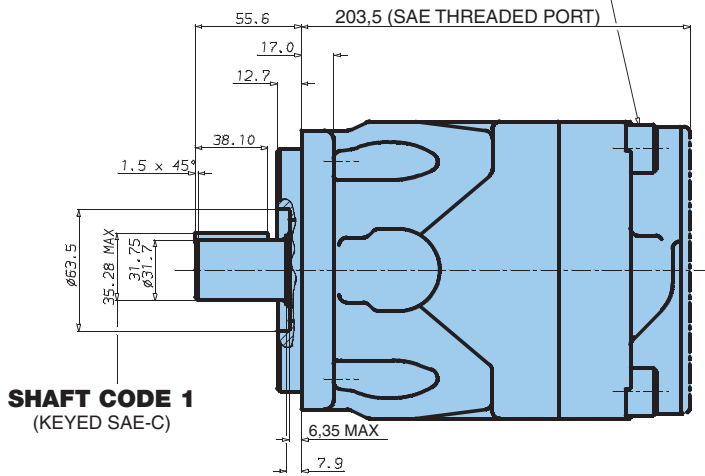
Model	V _i Volumetric displacement cm ³ /rev.	Input flow at n = 2000 rpm		Torque T at n = 2000 rpm	Power output at n = 2000 rpm
		Theoretical	at 175 bar Δ p	at 175 bar Δ p	at 175 bar Δ p
		l/min	l/min	Nm	kW
M4D 062	65,1	130,0	154,0	165,0	34,6
M4D 074	76,8	154,0	178,0	200,0	41,9
M4D 088	91,0	182,0	206,0	236,0	49,4
M4D 102	105,5	211,0	241,0	264,0	55,3
M4D 113	116,7	233,0	257,0	300,0	62,8
M4D 128	132,4	265,0	289,0	340,0	71,2
M4D 138	144,4	289,0	313,0	372,0	77,9



M4D - M4D1 motor

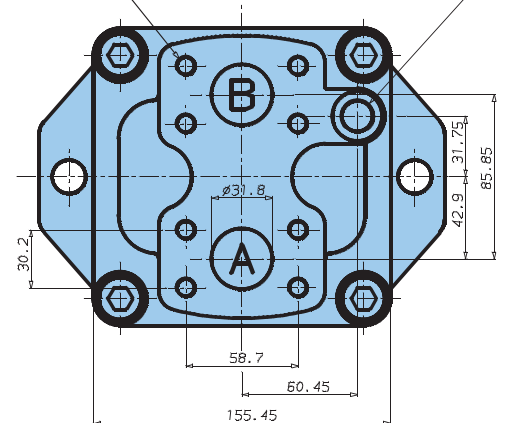
Weight : 27,0 kg

MOUNTING TORQUE: 180 N.m



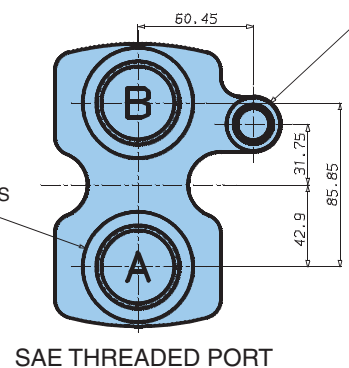
7/16"-14 UNC x 22 DEEP - 8 HOLES
 (M12 x 22,1 DEEP-METRIC VERSION)

DRAIN SAE 8 (3/4"-16 UNF) OR 3/8" BSPP



DRAIN SAE 8 (3/4" 16 UNF) 14,2 DEEP

SAE 20 (1" 5/8-16 UNF) x 19 DEEP-2 HOLES



Model No. **M4E1**
M4E - 214 - 1 N 00 - B 5 02 ..

M4E - Series external drain
M4E1 - Series internal drain

Torque
 153 = 2,52 Nm/bar
 185 = 3,05 Nm/bar
 214 = 3,53 Nm/bar

Type of shaft
 1 = keyed (SAE C)
 3 = splined (SAE C)

Direction of rotation (shaft end view)
 N = bi-directional

Modifications

Ports

01 = SAE threaded port
 SAE drain
 02 = 4 bolt SAE flange with UNC threads
 SAE drain

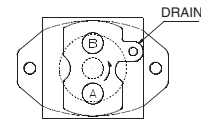
Seal class

5 = S5 - VITON®

Design letter

Porting combination

00 = standard



00

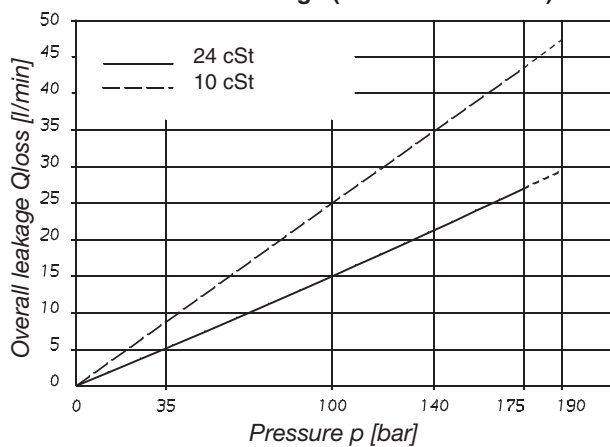
M4E1 : Drain port is plugged.

CW rotation => A = inlet B = outlet
 CCW rotation => B = inlet A = outlet

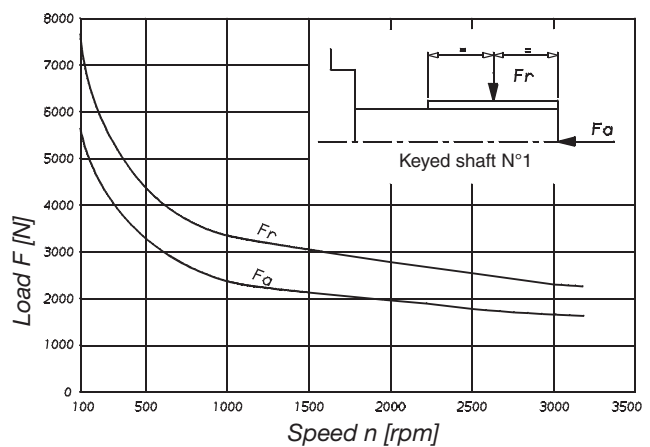
Operating Characteristics - Typical [24 cSt]

Model	V _i Volumetric displacement cm ³ /rev.	Input flow at n = 2000 rpm		Torque T at n = 2000 rpm	Power output at n = 2000 rpm
		Theoretical	at 175 bar Δ p	at 175 bar Δ p	at 175 bar Δ p
		l/min	l/min	Nm	kW
M4E 153	158,5	317,0	343,0	398,0	83,4
M4E 185	191,6	383,0	409,0	484,0	101,4
M4E 214	222,0	444,0	470,0	567,0	188,8

Overall Leakage (internal + external)

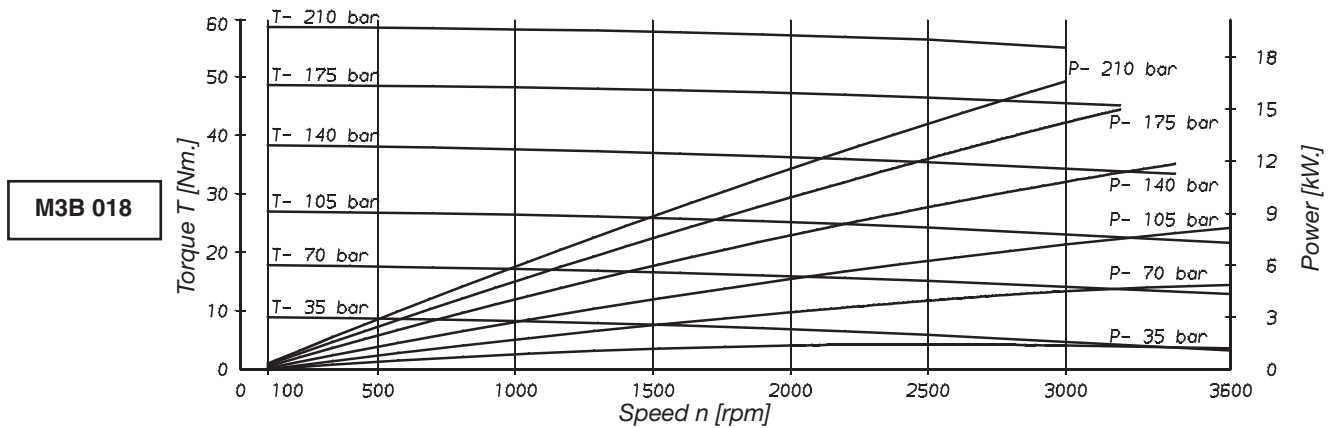
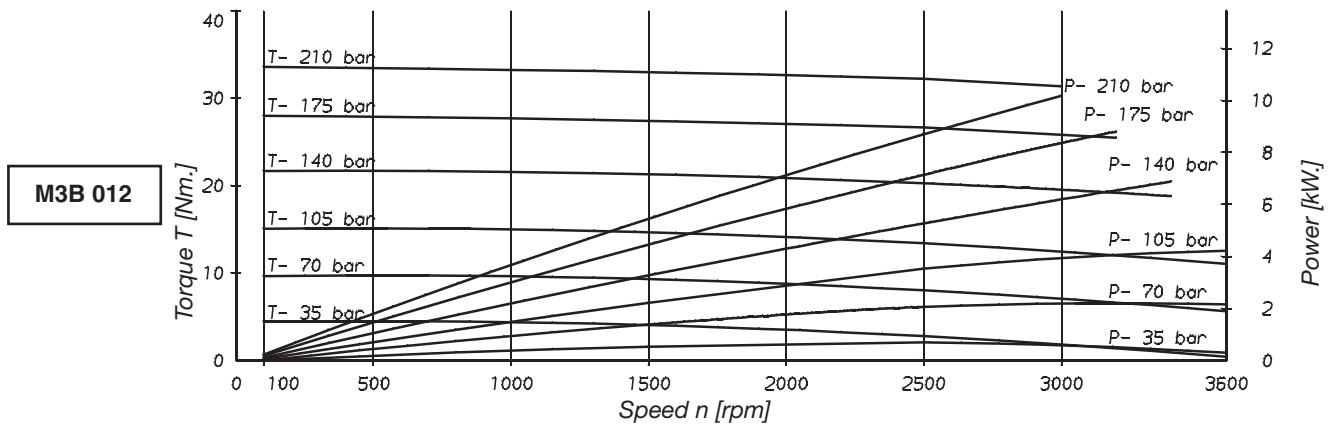
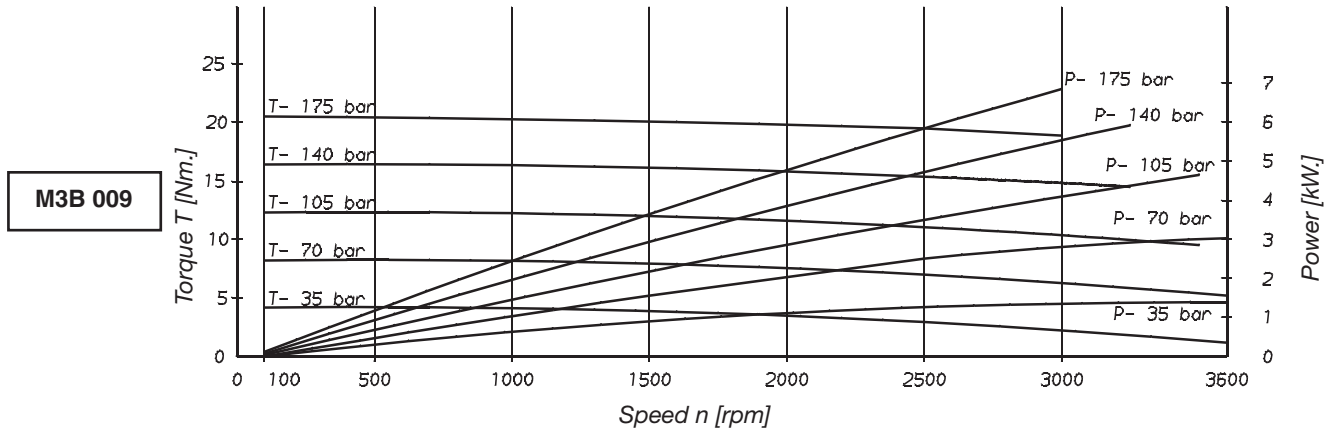


Permissible shaft loads



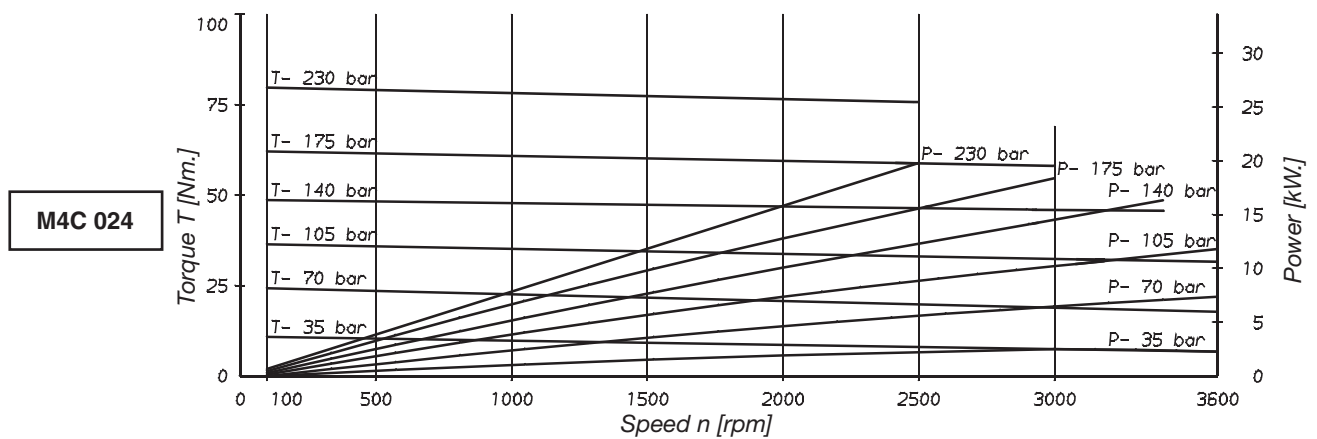
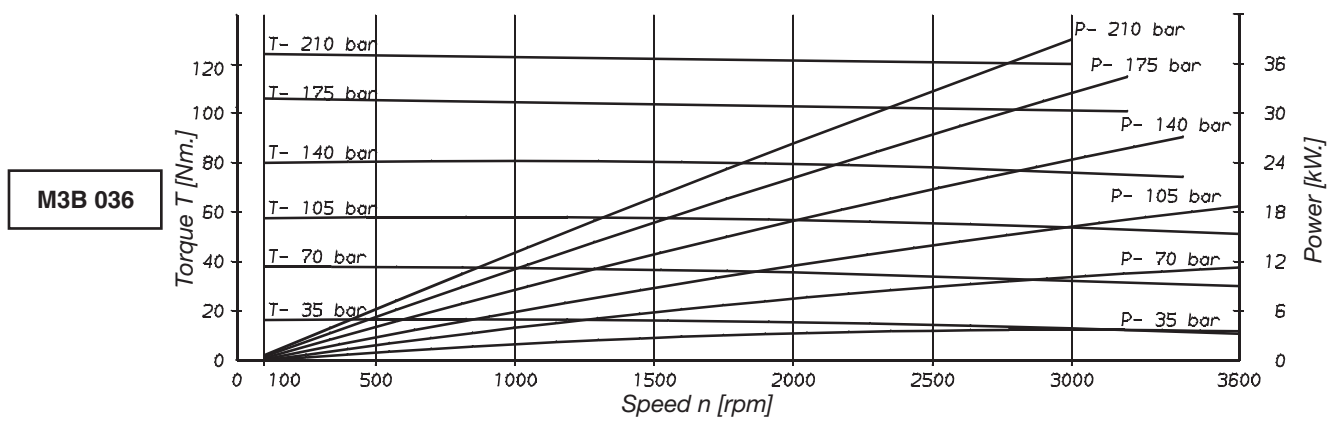
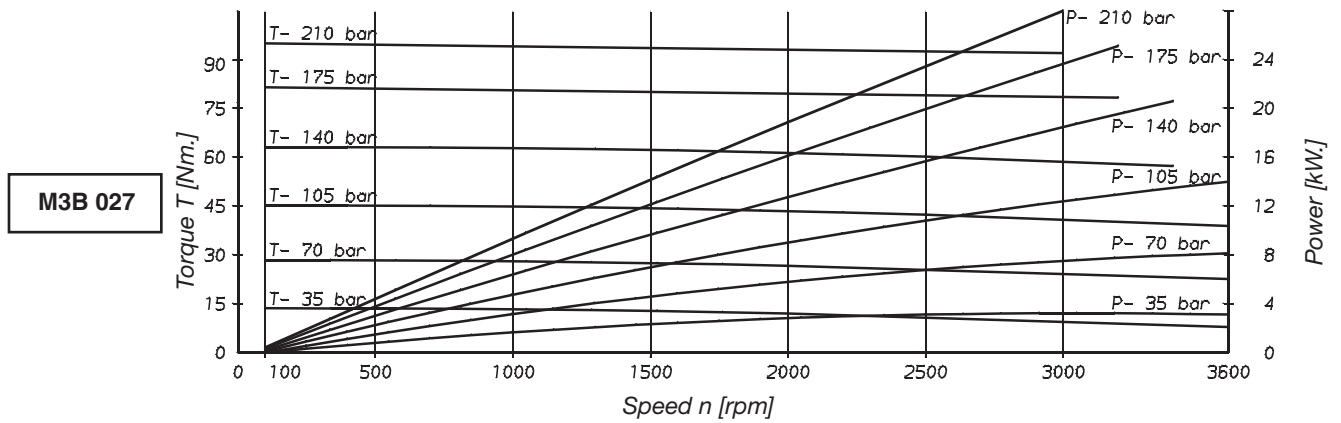
Do not apply Fr and Fa loads simultaneously

Performance charts



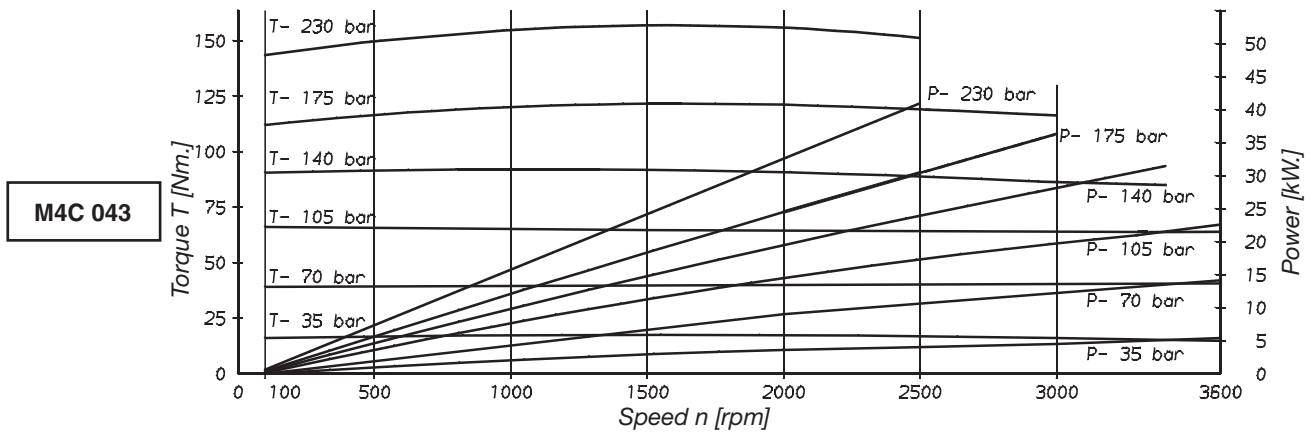
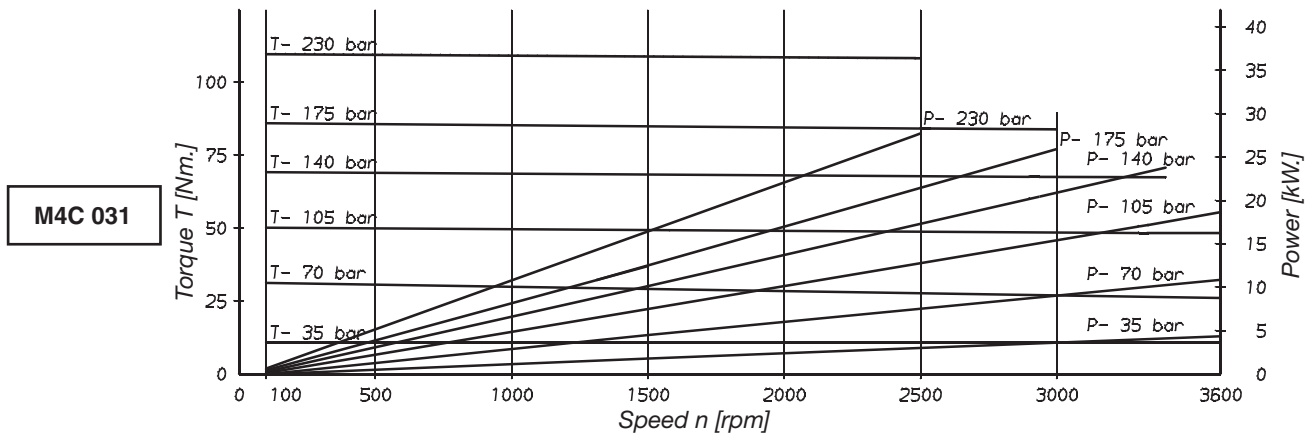
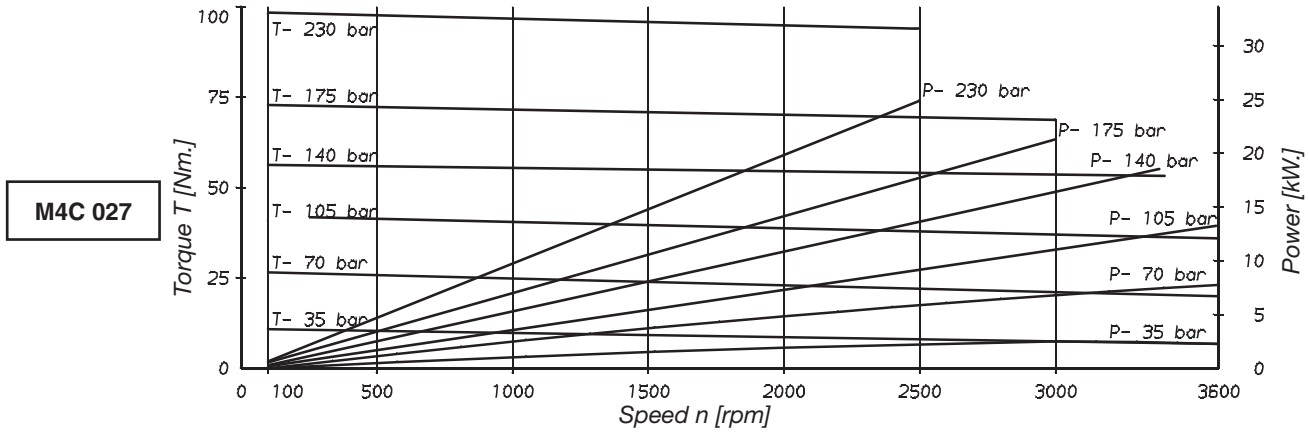
- Running condition limits - Typical curves at 26 cSt @ 45°.
 - For higher specifications or for operating speed under < 100 rpm, please consult Parker.

Performance charts



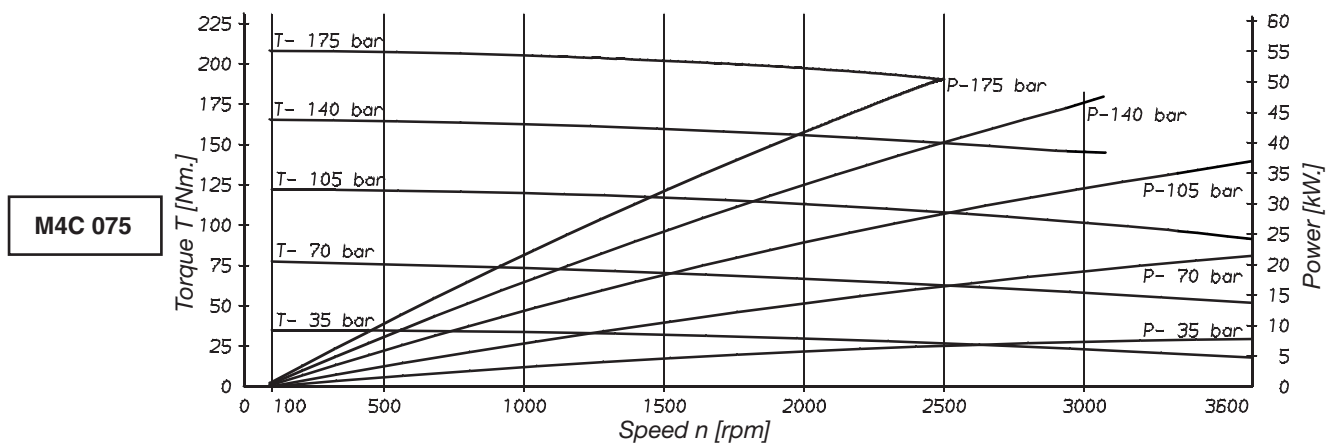
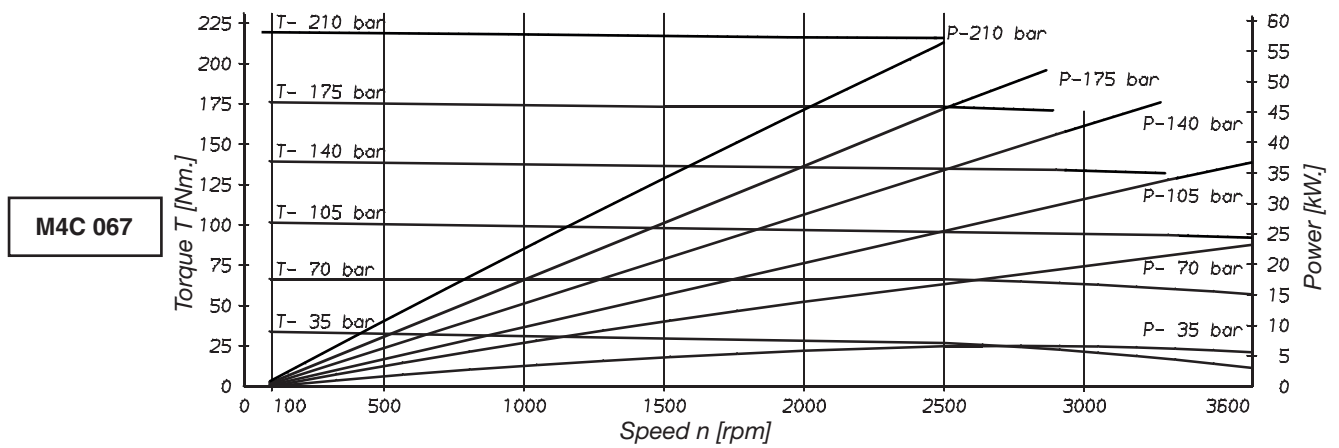
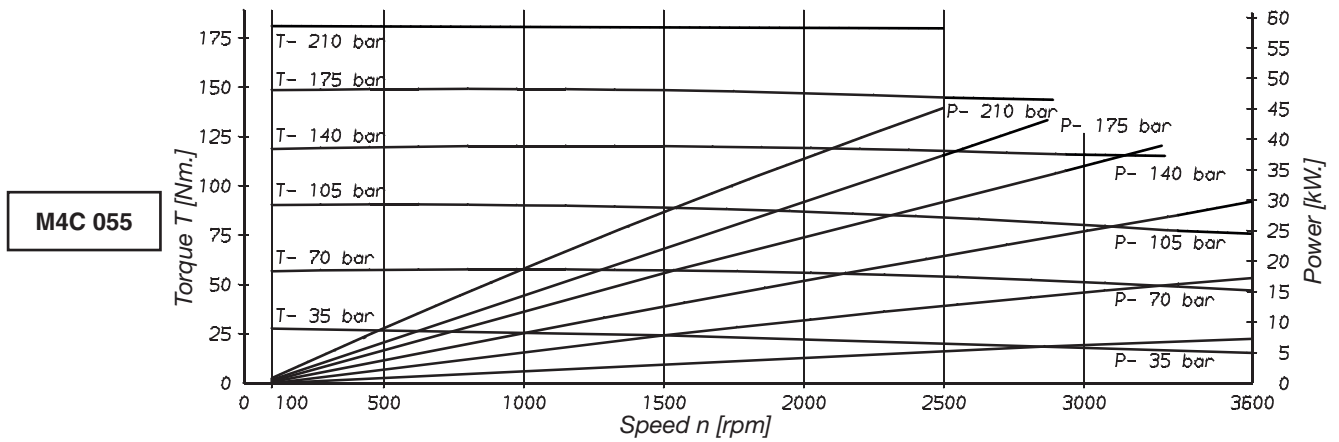
- Running condition limits - Typical curves at 26 cSt @ 45°.
 - For higher specifications or for operating speed under < 100 rpm, please consult Parker.

Performance charts



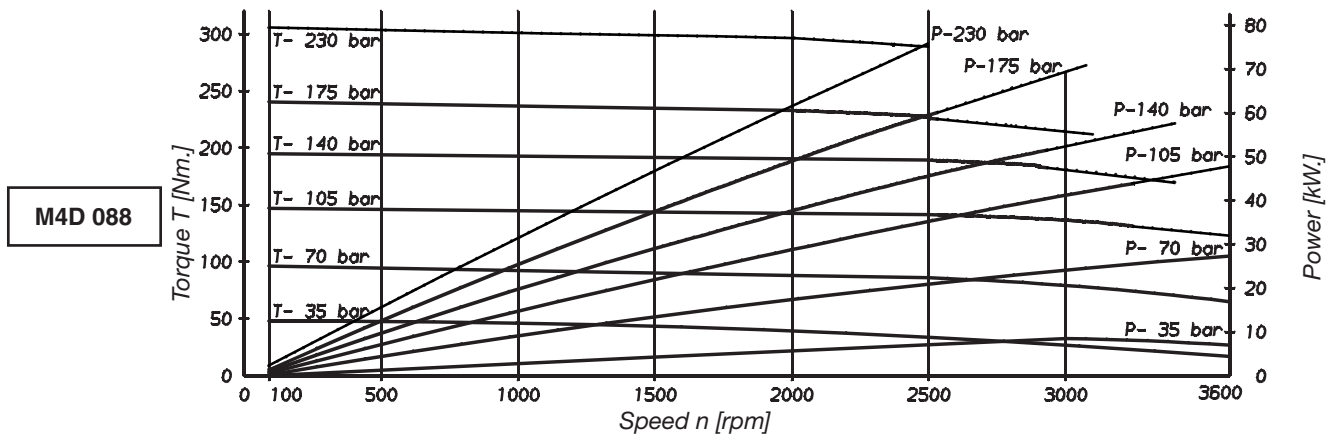
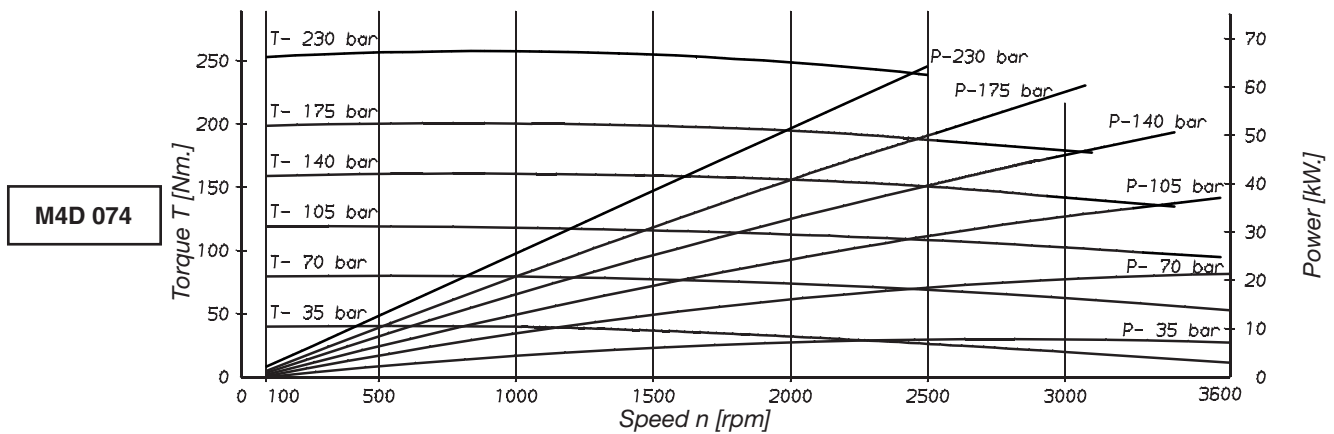
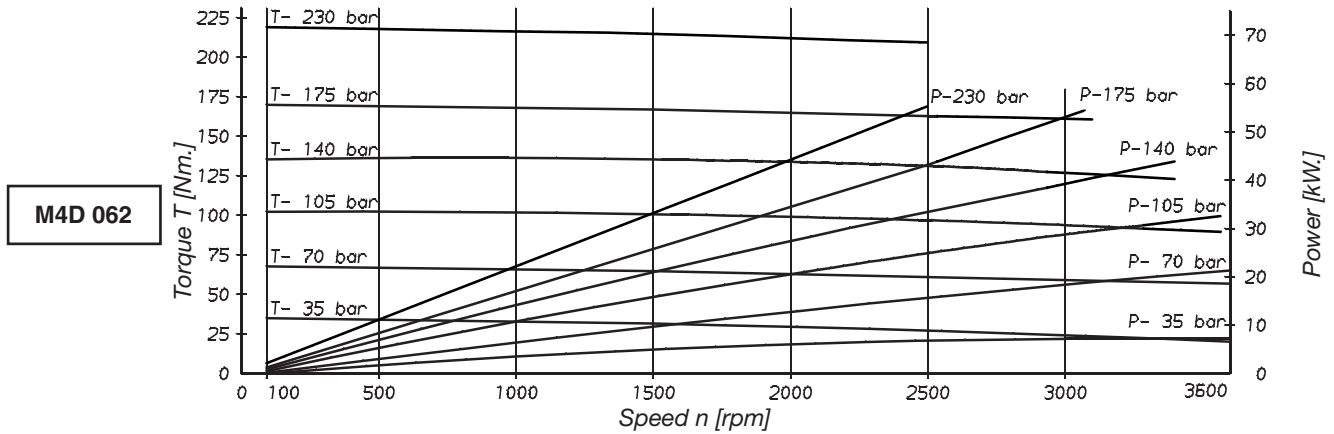
- Running condition limits - Typical curves at 26 cSt @ 45°.
 - For higher specifications or for operating speed under < 100 rpm, please consult Parker.

Performance charts



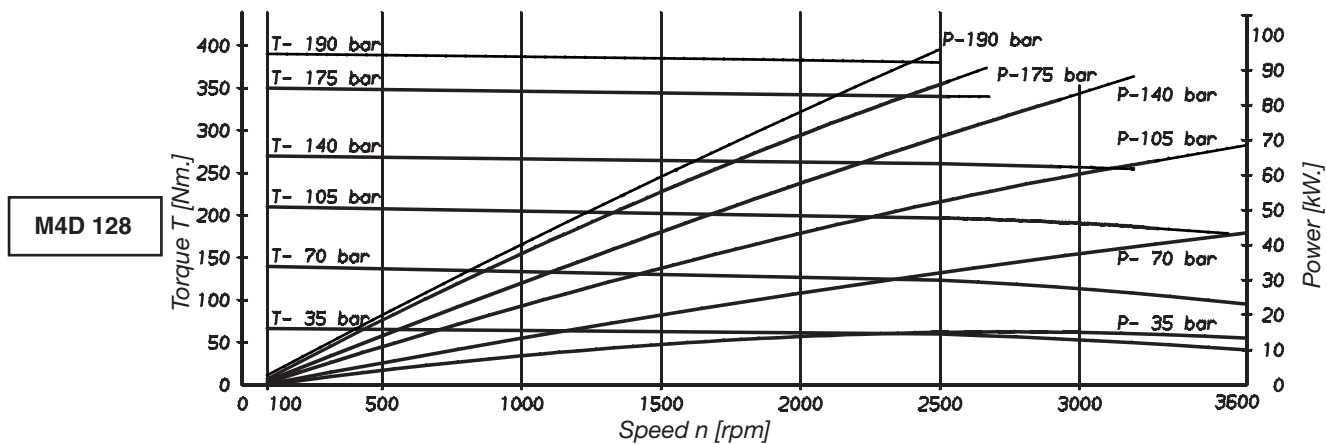
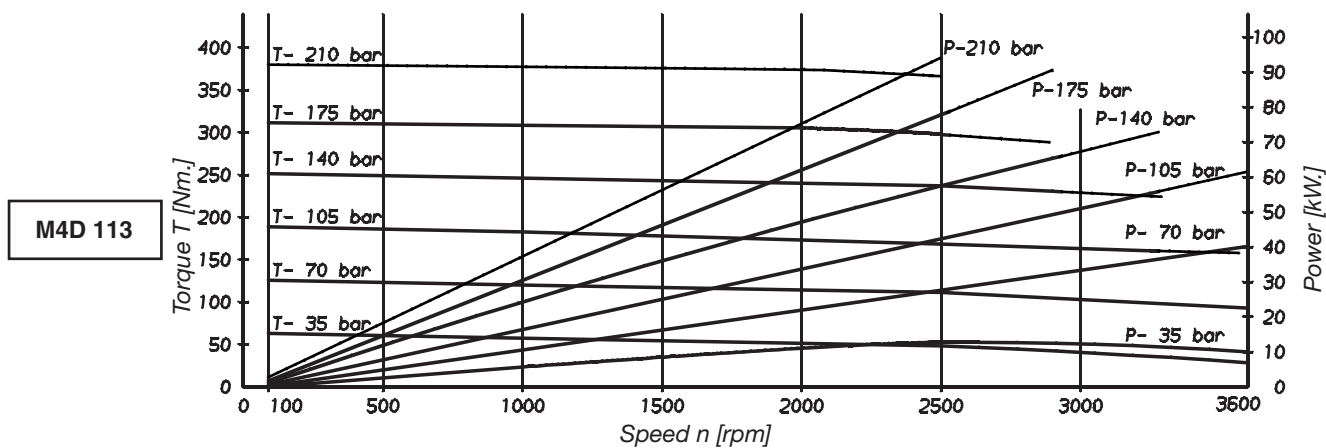
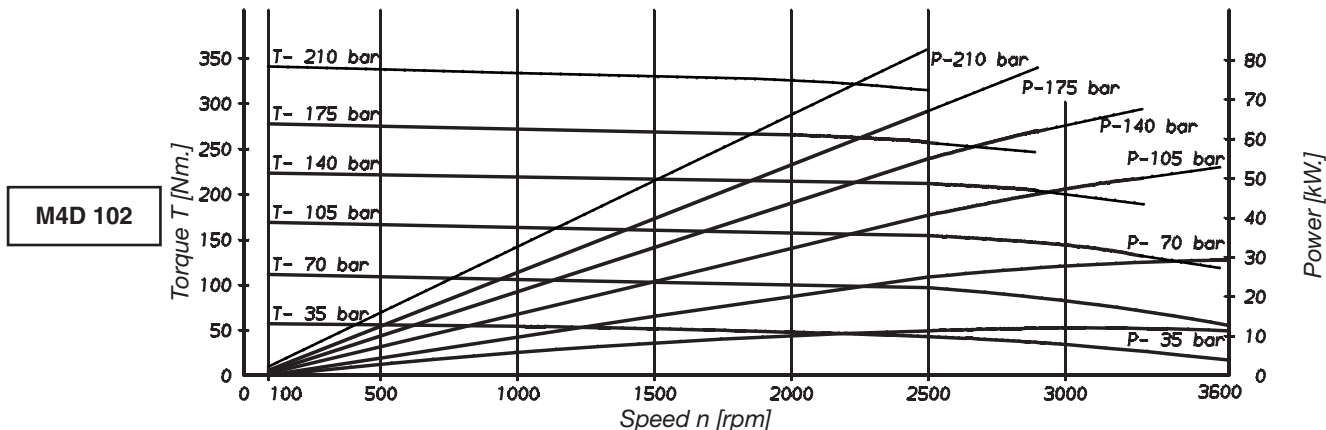
- Running condition limits - Typical curves at 26 cSt @ 45°.
 - For higher specifications or for operating speed under < 100 rpm, please consult Parker.

Performance charts



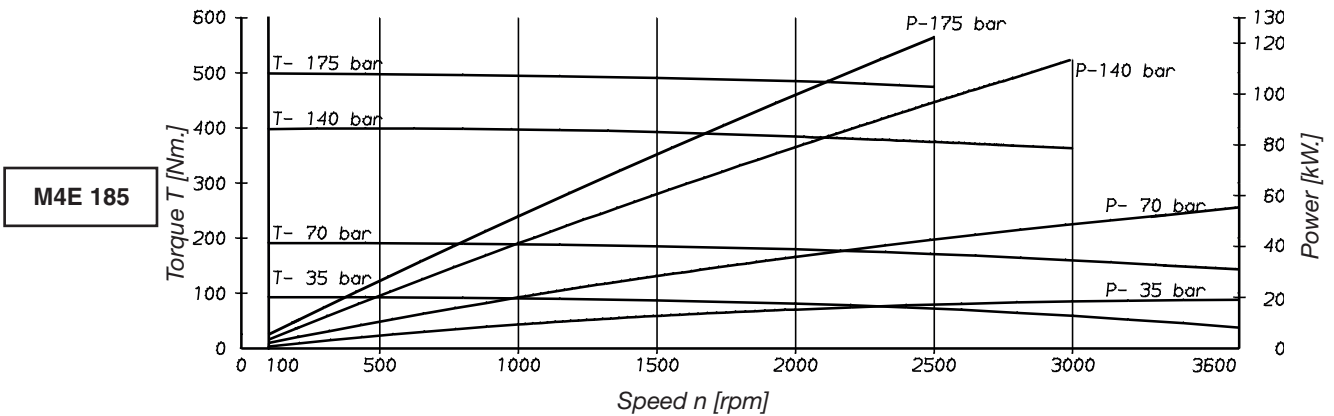
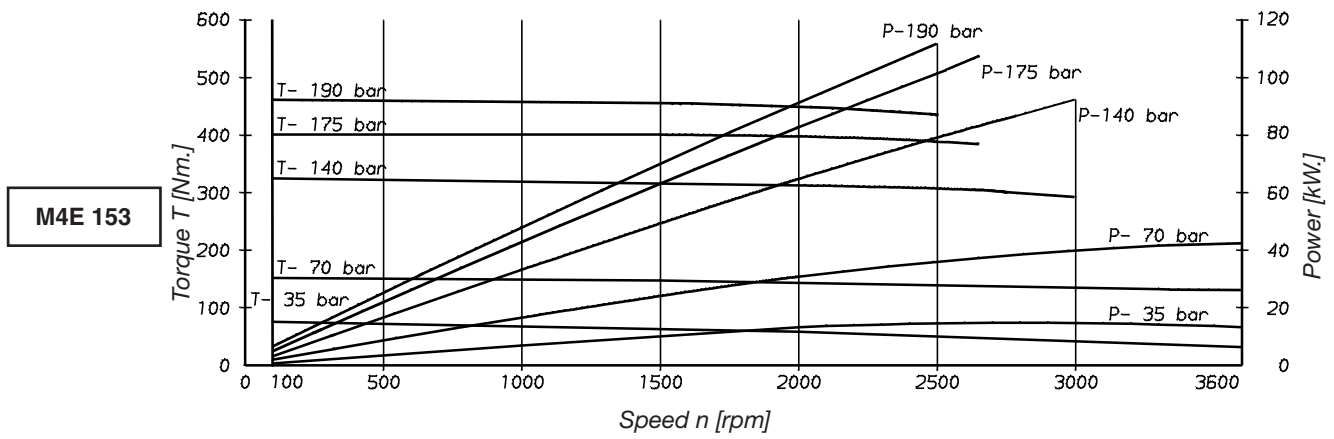
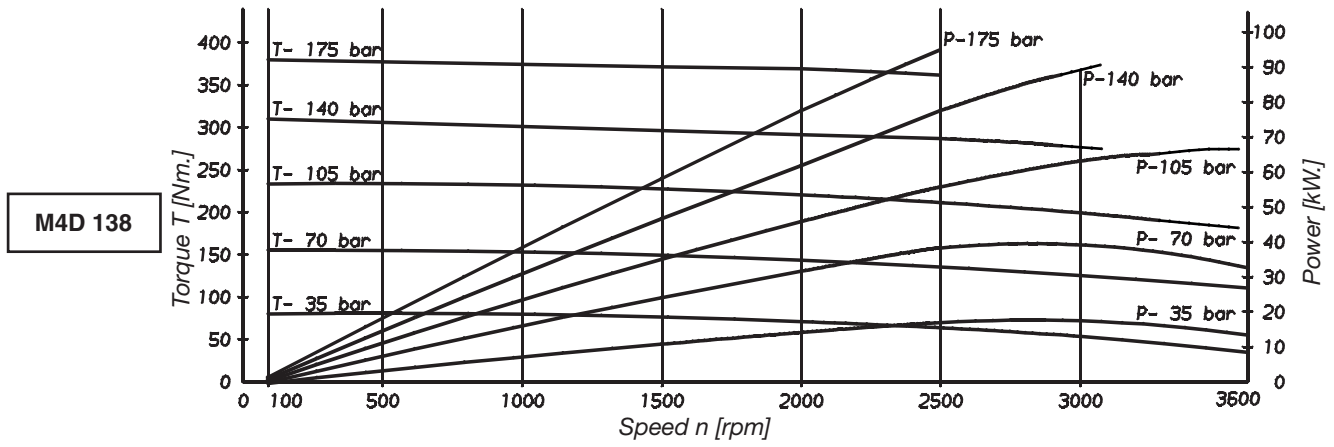
- Running condition limits - Typical curves at 26 cSt @ 45°.
 - For higher specifications or for operating speed under < 100 rpm, please consult Parker.

Performance charts



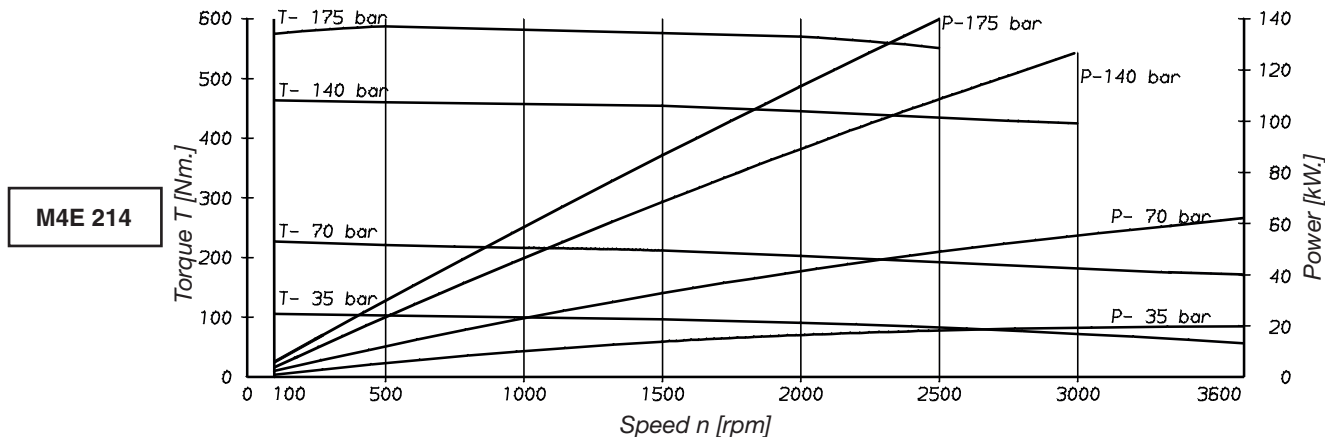
- Running condition limits - Typical curves at 26 cSt @ 45°.
 - For higher specifications or for operating speed under < 100 rpm, please consult Parker.

Performance charts



- Running condition limits - Typical curves at 26 cSt @ 45°.
 - For higher specifications or for operating speed under < 100 rpm, please consult Parker.

Performance charts



- Running condition limits - Typical curves at 26 cSt @ 45°.
 - For higher specifications or for operating speed under < 100 rpm, please consult Parker.

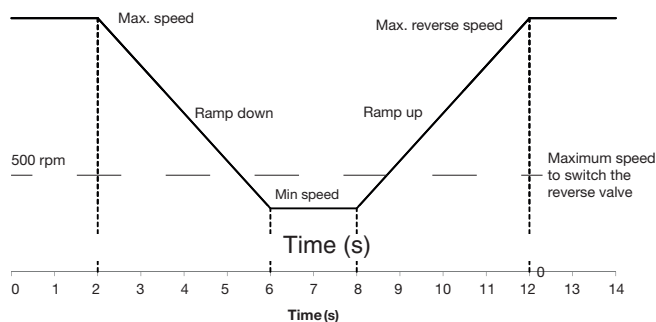
Minimum replenishment pressure during deceleration

The hydraulic circuit should be designed in a way that when switching off the hydraulic motor, it remains supplied with fluid, without risk of cavitation (anti-cavitation valve may be needed).

The inlet port of the fluid motor must be supplied with replenishment pressure as listed below to prevent cavitation during dynamic braking. These pressures should be multiplied by a coefficient of 1,5 for M4 motors used with fire resistant fluids (HF-3, HF-4, HF-5).

Minimum replenishment pressure (bar)					
Series	Speed [rpm] - Oil viscosity = 32 cSt				
	500	1000	2000	3000	3600
M3B	0,6	1,0	1,9	3,5	5,8
M4C	0,7	1,4	3,1	5,5	9,3
M4D	0,7	1,4	3,1	5,5	9,3
M4E	1,4	2,8	5,2	11,0	

Reverse cycles for fan drives



The motor must be decelerated from its (max.) rotation speed to less than 500 rpm in no less than 4 seconds time before energizing the solenoid of the reverse valve.

In the same way the motor must be ramped up to its (max.) reverse rotation speed in no less than 4 seconds time.

There should be no signs of cavitation during the reverse cycle (abnormal noise or lack of replenishment pressure).

Connection of several motors in the same circuit

For application requiring several motors to be driven simultaneously, we recommend to connect these in parallel circuits.

The use of several motors connected in series is not recommended. Depending on the different inertia of the loads, the displacements and torque requirements, the motors may be subjected to pressure instability and noise. Also hydraulic pressure valves will not admit high levels of back pressure, restricting this use to motors without pressure valves. Please consult Parker.

Motor selection example

Motor performances required

Torque _____ T [Nm.] 140

Speed _____ n [rpm] 1500

Pump available data

Flow _____ Q [l/min] 115

Δ Pressure _____ Δ p [bar] 175

1. Check if available power is greater than required power (0.85 estimated overall efficiency).

$$0,85 \times \frac{Q \times p}{600} \geq \frac{T \times \pi \times n}{30 \times 1000}$$

$$0,85 \times \frac{115 \times 175}{600} \geq \frac{140 \times \pi \times 1500}{30 \times 1000}$$

$$28,5 > 22 \text{ kW}$$

2. Two ways of calculation : Calculate V_i from T required torque, or from Q available flow.

2a. Calculate V_i from T required torque

$$V_i = \frac{20 \pi \times T}{p} = \frac{20 \pi \times 140}{175} = 50,26 \text{ cm}^3/\text{rev.}$$

2b. Calculate V_i from Q available flow

$$V_i = \frac{1000 \times 175}{1500} = 76,7 \text{ cm}^3/\text{rev.}$$

3a. Choose motor from V_i immediately greater

M4C 055 $V_i = 58,8 \text{ cm}^3/\text{rev.}$ (see page 10)

3b. Choose motor from V_i immediately smaller

M4C 067 $V_i = 71,1 \text{ cm}^3/\text{rev.}$ (see page 10)

4a. Check real motor pressure for T = 140 Nm. at around 1500 rpm

M4C 055 T = 140 N.m n = 1500 rpm
 p = 160 bar (see M4C 055 curve on page 19)

4b. Check motor pressure with T = 140 Nm. at 1500 rpm

M4C 067 T = 140 Nm. n = 1500 rpm
 p = 140 bar (see M4C 067 curve on page 19)

5a. Flow loss at this pressure : 16 l/min

(see page 10)

Real flow used by the motor :

$$Q_{\text{eff.}} = 115 - 16 = 99 \text{ l/min}$$

5b. Flow loss at this pressure : 14 l/min

(see page 10)

Real flow used by the motor :

$$Q_{\text{eff.}} = 115 - 14 = 101 \text{ l/min}$$

6a. Real speed of the motor :

$$n_{\text{eff.}} = \frac{Q_{\text{eff.}} \times 1000}{V_i} = \frac{99 \times 1000}{58,8} = 1683 \text{ rpm}$$

6b. Real speed of the motor :

$$n_{\text{eff.}} = \frac{Q_{\text{eff.}} \times 1000}{V_i} = \frac{101 \times 1000}{71,1} = 1420 \text{ rpm}$$

Real performances

$V_i = 58,8 \text{ cm}^3/\text{rev.}$

$n_{\text{eff.}} = 1683 \text{ rpm}$

T = 140 Nm.

$\Delta p_{\text{eff.}} = 160 \text{ bar}$

} M4C 055

Real performances

$V_i = 71,1 \text{ cm}^3/\text{rev.}$

$n_{\text{eff.}} = 1420 \text{ rpm}$

T = 140 Nm.

$\Delta p_{\text{eff.}} = 140 \text{ bar}$

} M4C 067

Fluid power formulas

Volumetric efficiency	$1 - \frac{\text{total leakage} \times 1000}{\text{speed} \times \text{displacement}}$	Speed [rpm]
Mechanical efficiency	$1 - \frac{\text{torque loss} \times 20 \times p}{\Delta \text{ pressure} \times \text{displacement}}$	Displacement [cm ³ /rev]
Fluid motor speed	$\frac{1000 \times \text{flow rate} \times \text{volumetric eff.}}{\text{displacement}}$	Pressure [bar]
Fluid motor torque	$\frac{\Delta \text{ pressure} \times \text{displacement} \times \text{mech. eff.}}{20 \times p}$	Flow rate [l/min]
Fluid motor power	$\frac{\text{speed} \times \text{displacement} \times \Delta \text{ pressure} \times \text{overall eff.}}{600\,000}$ or $\frac{\text{torque} \times \text{speed} \times 20 \times p}{600\,000}$	Leakage [l/min]
		Torque [Nm]
		Torque loss [Nm]
		Power [kW]

Hydraulic fluids

Recommended fluids

Petroleum base anti-wear, anti-rust and anti-oxidation fluids (covered by Parker Denison HF-0 and HF-2 specifications). Maximum catalogue ratings and performance data are based on operation with these fluids.

Acceptable alternate fluids

The use of fluids other than petroleum base anti-wear R & O fluids requires that the maximum ratings of the motor will be reduced. In some cases, the minimum replenishment pressure must be increased.

HF-1 : non antiwear petroleum base HF-4 : water glycols solutions HF-5 : synthetic fluids HF-6a, HF-6b : HEES Bio fluids

Fluids viscosity

The minimum Viscosity Index is 90. The kinematic viscosity range is as below. Over or under these values, please contact Parker.

Max. (cold start, low speed & pressure) _____	2000 cSt	Min. (full speed & pressure for HF-1, HF-4 & HF-5 fluids)	18 cSt
Max. (full speed & pressure) _____	108 cSt	Min. (full speed & pressure for HF-0 & HF-2 fluids)	10 cSt
Optimum (max. lifetime) _____	30 cSt		

Fluids temperatures

The usual limiting factor of temperature (low or high) comes from the obtained viscosity. The seals are sometimes the limit.

Maximum fluid temperature (also depends on min. viscosity). Minimum fluid temperature (also depends on max. viscosity).

	° C	° F		° C	° F
HF-0, HF-1, HF-2 _____	+ 100	(+ 212)	HF-0, HF-1, HF-2, HF-5, HF-6a, HF-6b _____	- 18	(- 0.4)
HF-4 _____	+ 50	(+ 122)	HF-4 _____	+ 10	(+ 50)
HF-5 _____	+ 70	(+ 158)			
HF-6a, HF-6b _____	+ 80	(+ 176)			

Filtration requirements

The fluid must be cleaned before and during operation to maintain a contamination level of ISO 18/16/13 (NAS 1638 class 7) for motors with proportional pressure valve and ISO 19/17/14 (NAS 1638 class 8) or better for others. Filters must be installed accordingly.

Water contamination in fluid

The maximum acceptable content of water shall be limited to 0,10 % for mineral base fluids, and 0,05 % for synthetic fluids, crankcase oils, and biodegradable fluids. The eventual excess of water must be drained off the circuit.

Types of seals

Seals type 1 (S1) : Use this seal type for applications with mineral oil and fluid temperature less than + 90° C (+ 194° F).

S1 seals temperature range : - 40° C to + 107° C (- 40° F to + 225° F).

Seals type 5 (S5) : Use this seal type with some fire resistant fluids and/or fluid temperature higher than + 90° C (+194° F).

S5 seal temperature range : - 29° C to + 204° C (- 20° F to + 400° F).

Motor installation

The Motor may be installed in any position providing that its drain line is correctly laid and that the loads on the shaft are clearly identified and acceptable. Motors fitted with valves will require some light back pressure.

The externally drained motors must have a drain line connected to their housing drain port. It must be of a sufficient size to prevent back pressure in excess of 3,5 bar (50 PSI), and return directly to the reservoir below the minimum fluid level, as far away as possible from the suction pipe of the pump.

It is preferable to install the housing with its drain port upward to facilitate the purge of the motor. If the motor is mounted vertically with the shaft pointing up, then the drain line must have a bend above the motor to purge it fully and to be sure that the shaft seal is well lubricated.



Shaft and coupling data

- **Keyed shafts** : Parker supplies its keyed shaft M3 - M4 motors with high strength heat-treated keys. Therefore, when installing or replacing these motors, the heat-treated keys must be used in order to ensure maximum life in the application. If the key is replaced, it must be a heat-treated key between 27 and 34 R.C. hardness. The corners of the keys must be chamfered by 0,76 mm to 1,02 mm (0.03 to 0.04) at 45° to clear the radii in the key way.

The alignment of the keyed shafts must be within the tolerances given for the splined shafts here below.

- **Couplings and female splines** : The coupling must be selected to minimize the load on the shaft (weight, misalignment).

The female spline must be made to conform to the Class 1 fit as described in SAE-J498b (1971). This is described as a Flat Root Side Fit.

The mating female spline should be free to float and find its own center. If both members are rigidly supported, they must be aligned within 0,15 TIR (0.006" TIR) or less to reduce fretting. The angular alignment of two splines axes must be less than $\pm 0,05$ per 25,4 radius (± 0.002 " per 1" radius).

The coupling must be hardened to a hardness between 29 and 45 HRC.

The coupling spline must be lubricated with a lithium molydisulfide grease, disulfide of molybdenum or a similar lubricant.

Start-up instructions

All Parker hydraulic vane motors are individually factory tested to provide the best quality & reliability. They are to be used within the operation limits indicated in our documentation. Only qualified personnel who is competent and familiar with the installation and operation of hydraulic drives and has hydraulic circuits and hydraulic equipment knowledge is allowed to put the equipment into operation. Make sure to have all necessary documentation available and always conform yourself to the valid regulations (safety, electrical, environment...).

Pre-start checks

- Before the initial installation of the motor, please remove the protective covers or plugs from the connection ports and pour some clean and suitable hydraulic fluid in all ports.
- Before the initial starting of the motor, the following checks should be made :
 - a. Check the requested rotation way of the driven device and make sure that the hydraulic motor shaft will rotate accordingly.
 - b. Check entry, outlet and drain lines to be sure all connections are tight and properly connected.
 - c. Check the cleanliness of the piping, the hydraulic fluid type, its cleanliness and level. Make sure it can reach the motor entry port.
 - d. Check the correct fixture of the hydraulic motor mounting flange and of its driven device. Check their correct coupling.
 - e. For hydraulic motors with built-in solenoid valves, check the electrical wiring and the connections.

First start and air removing

- The pressure relief valve of the circuit should be backed off to its minimum setting value to keep the hydraulic motor unloaded when first started. Circuit priming and air bleed off have to be performed before resetting the pressure relief valve.
- Start the hydraulic motor rotation in a jogging manner until a prime is picked up, and increase its speed from 500 to 1000 rpm. Check that there is no leakage or air suction neither at the ports (inlet, outlet, drain), nor at the shaft end.
- It is important to bleed the air off the circuit, and off the hydraulic motor itself. Purge the air off, preferably using air bleed off valves or pressure test points. Let the hydraulic motor rotate several minutes unloaded.
- Hydraulic motors equipped with a proportional pressure relief valve have to purge the air off the pressure valve in the following way: energize and de-energize the coil 5 times from 0 Amp to max current. Check that the proportional pressure relief valve is properly air bled off by running the hydraulic motor at full speed. It should rotate without vibrations or pulses.

Notes

- In case of very cold temperature, the hydraulic motor should be kept at low pressure and low speed until the fluid warms up, before running it at high pressure or speed.
- If the motor does not work properly or pressure cannot be obtained within seconds, it should be shut down and conditions corrected. Refer to the machine/vehicle manufacturer instructions and motor catalogue.

**WARNING – USER RESPONSIBILITY**

FAILURE OR IMPROPER SELECTION OR IMPROPER USE OF THE PRODUCTS DESCRIBED HEREIN OR RELATED ITEMS CAN CAUSE DEATH, PERSONAL INJURY AND PROPERTY DAMAGE.

This document and other information from Parker-Hannifin Corporation, its subsidiaries and authorized distributors provide product or system options for further investigation by users having technical expertise.

The user, through its own analysis and testing, is solely responsible for making the final selection of the system and components and assuring that all performance, endurance, maintenance, safety and warning requirements of the application are met. The user must analyze all aspects of the application, follow applicable industry standards, and follow the information concerning the product in the current product catalog and in any other materials provided from Parker or its subsidiaries or authorized distributors.

To the extent that Parker or its subsidiaries or authorized distributors provide component or system options based upon data or specifications provided by the user, the user is responsible for determining that such data and specifications are suitable and sufficient for all applications and reasonably foreseeable uses of the components or systems.

Offer of Sale

Please contact your Parker representation for a detailed "Offer of Sale".

Parker Worldwide

Europe, Middle East, Africa

AE – United Arab Emirates,
Dubai

Tel: +971 4 8127100
parker.me@parker.com

AT – Austria, St. Florian

Tel: +43 (0)7224 66201
parker.austria@parker.com

AZ – Azerbaijan, Baku

Tel: +994 50 2233 458
parker.azerbaijan@parker.com

BE/NL/LU – Benelux,

Hendrik Ido Ambacht
Tel: +31 (0)541 585 000
parker.nl@parker.com

BG – Bulgaria, Sofia

Tel: +359 2 980 1344
parker.bulgaria@parker.com

BY – Belarus, Minsk

Tel: +48 (0)22 573 24 00
parker.poland@parker.com

CH – Switzerland, Etoy

Tel: +41 (0)21 821 87 00
parker.switzerland@parker.com

CZ – Czech Republic, Klecany

Tel: +420 284 083 111
parker.czechrepublic@parker.com

DE – Germany, Kaarst

Tel: +49 (0)2131 4016 0
parker.germany@parker.com

DK – Denmark, Ballerup

Tel: +45 43 56 04 00
parker.denmark@parker.com

ES – Spain, Madrid

Tel: +34 902 330 001
parker.spain@parker.com

FI – Finland, Vantaa

Tel: +358 (0)20 753 2500
parker.finland@parker.com

FR – France, Contamine s/Arve

Tel: +33 (0)4 50 25 80 25
parker.france@parker.com

GR – Greece, Piraeus

Tel: +30 210 933 6450
parker.greece@parker.com

HU – Hungary, Budaörs

Tel: +36 23 885 470
parker.hungary@parker.com

IE – Ireland, Dublin

Tel: +353 (0)1 466 6370
parker.ireland@parker.com

IL – Israel

Tel: +39 02 45 19 21
parker.israel@parker.com

IT – Italy, Corsico (MI)

Tel: +39 02 45 19 21
parker.italy@parker.com

KZ – Kazakhstan, Almaty

Tel: +7 7273 561 000
parker.easteurope@parker.com

NO – Norway, Asker

Tel: +47 66 75 34 00
parker.norway@parker.com

PL – Poland, Warsaw

Tel: +48 (0)22 573 24 00
parker.poland@parker.com

PT – Portugal

Tel: +351 22 999 7360
parker.portugal@parker.com

RO – Romania, Bucharest

Tel: +40 21 252 1382
parker.romania@parker.com

RU – Russia, Moscow

Tel: +7 495 645-2156
parker.russia@parker.com

SE – Sweden, Borås

Tel: +46 (0)8 59 79 50 00
parker.sweden@parker.com

SK – Slovakia, Banská Bystrica

Tel: +421 484 162 252
parker.slovakia@parker.com

SL – Slovenia, Novo Mesto

Tel: +386 7 337 6650
parker.slovenia@parker.com

TR – Turkey, Istanbul

Tel: +90 216 4997081
parker.turkey@parker.com

UA – Ukraine, Kiev

Tel: +48 (0)22 573 24 00
parker.poland@parker.com

UK – United Kingdom, Warwick

Tel: +44 (0)1926 317 878
parker.uk@parker.com

ZA – South Africa, Kempton Park

Tel: +27 (0)11 961 0700
parker.southafrica@parker.com

North America

CA – Canada, Milton, Ontario

Tel: +1 905 693 3000

US – USA, Cleveland

Tel: +1 216 896 3000

Asia Pacific

AU – Australia, Castle Hill

Tel: +61 (0)2-9634 7777

CN – China, Shanghai

Tel: +86 21 2899 5000

HK – Hong Kong

Tel: +852 2428 8008

IN – India, Mumbai

Tel: +91 22 6513 7081-85

JP – Japan, Tokyo

Tel: +81 (0)3 6408 3901

KR – South Korea, Seoul

Tel: +82 2 559 0400

MY – Malaysia, Shah Alam

Tel: +60 3 7849 0800

NZ – New Zealand, Mt Wellington

Tel: +64 9 574 1744

SG – Singapore

Tel: +65 6887 6300

TH – Thailand, Bangkok

Tel: +662 186 7000

TW – Taiwan, Taipei

Tel: +886 2 2298 8987

South America

AR – Argentina, Buenos Aires

Tel: +54 3327 44 4129

BR – Brazil, Sao Jose dos Campos

Tel: +55 800 727 5374

CL – Chile, Santiago

Tel: +56 2 623 1216

MX – Mexico, Toluca

Tel: +52 72 2275 4200

European Product Information Centre

Free phone: 00 800 27 27 5374

(from AT, BE, CH, CZ, DE, DK, EE, ES, FI,
FR, IE, IL, IS, IT, LU, MT, NL, NO, PL, PT, RU,
SE, SK, UK, ZA)

Parker Hannifin Ltd.

Tachbrook Park Drive
Tachbrook Park, Warwick CV34 6TU

United Kingdom

Tel.: +44 (0) 1926 317 878

Fax: +44 (0) 1926 317 855

www.parker.com

